

# TRAITE D'OPERATION EN MATIERE BREVETS

## PCT

### NOTIFICATION D'ELECTION

(règle 61.2 du PCT)

Expéditeur: le BUREAU INTERNATIONAL

Destinataire:

Assistant Commissioner for Patents  
United States Patent and Trademark  
Office  
Box PCT  
Washington, D.C.20231  
ETATS-UNIS D'AMERIQUE

en sa qualité d'office élu

|   |  |
|---|--|
| <b>Date d'expédition (jour/mois/année)</b><br>28 juillet 2000 (28.07.00)            | <b>Référence du dossier du déposant ou du mandataire</b><br>PF980079     |
| <b>Demande internationale no</b><br>PCT/FR99/02863                                  | <b>Date de priorité (jour/mois/année)</b><br>25 novembre 1998 (25.11.98) |
| <b>Date du dépôt international (jour/mois/année)</b><br>22 novembre 1999 (22.11.99) | <b>Date de priorité (jour/mois/année)</b><br>25 novembre 1998 (25.11.98) |
| <b>Déposant</b><br>STRAUB, Gilles etc   |  |

1. L'office désigné est avisé de son élection qui a été faite:

dans la demande d'examen préliminaire international présentée à l'administration chargée de l'examen préliminaire international le:

\_\_\_\_\_ 22 juin 2000 (22.06.00) \_\_\_\_\_

dans une déclaration visant une élection ultérieure déposée auprès du Bureau international le:

\_\_\_\_\_

2. L'élection  a été faite

n'a pas été faite

avant l'expiration d'un délai de 19 mois à compter de la date de priorité ou, lorsque la règle 32 s'applique, dans le délai visé à la règle 32.2b).

|  |  |
|--|--|
| Bureau international de l'OMPI<br>34, chemin des Colombettes<br>1211 Genève 20, Suisse<br>no de télécopieur: (41-22) 740.14.35 | Fonctionnaire autorisé<br>Diana Nissen<br>no de téléphone: (41-22) 338.83.38 |
|--|--|

**This Page Blank (uspil,**

Translation

09/856063

PATENT COOPERATION TREATY

PCT

INTERNATIONAL PRELIMINARY EXAMINATION REPORT

(PCT Article 36 and Rule 70)

|  |   |   |
|--|---|---|
| Applicant's or agent's file reference<br>PF980079  | <b>FOR FURTHER ACTION</b> See Notification of Transmittal of International Preliminary Examination Report (Form PCT/IPEA/416) |   |
| International application No.<br>PCT/FR99/02863  | International filing date (day/month/year)<br>22 November 1999 (22.11.99)   | Priority date (day/month/year)<br>25 November 1998 (25.11.98) |
| International Patent Classification (IPC) or national classification and IPC<br>H04L 12/24 |   |   |
| Applicant<br>THOMSON MULTIMEDIA  |   |   |

1. This international preliminary examination report has been prepared by this International Preliminary Examining Authority and is transmitted to the applicant according to Article 36.

2. This REPORT consists of a total of 8 sheets, including this cover sheet.

This report is also accompanied by ANNEXES, i.e., sheets of the description, claims and/or drawings which have been amended and are the basis for this report and/or sheets containing rectifications made before this Authority (see Rule 70.16 and Section 607 of the Administrative Instructions under the PCT).

These annexes consist of a total of 7 sheets.

3. This report contains indications relating to the following items:

- I  Basis of the report
- II  Priority
- III  Non-establishment of opinion with regard to novelty, inventive step and industrial applicability
- IV  Lack of unity of invention
- V  Reasoned statement under Article 35(2) with regard to novelty, inventive step or industrial applicability; citations and explanations supporting such statement
- VI  Certain documents cited
- VII  Certain defects in the international application
- VIII  Certain observations on the international application

|   |  |
|---|--|
| Date of submission of the demand<br>22 June 2000 (22.06.00) | Date of completion of this report<br>22 February 2001 (22.02.2001) |
| Name and mailing address of the IPEA/EP                     | Authorized officer   |
| Facsimile No.   | Telephone No.  |

**This Page Blank (uspto)**

INTERNATIONAL PRELIMINARY EXAMINATION REPORT

International application No.

PCT/FR99/02863

I. Basis of the report

1. With regard to the elements of the international application:\*

- the international application as originally filed
- the description:
  - pages \_\_\_\_\_, as originally filed
  - pages \_\_\_\_\_, filed with the demand
  - pages \_\_\_\_\_ 2-4, 4a \_\_\_\_\_, filed with the letter of \_\_\_\_\_ 19 December 2000 (19.12.2000)
- the claims:
  - pages \_\_\_\_\_, as originally filed
  - pages \_\_\_\_\_, as amended (together with any statement under Article 19
  - pages \_\_\_\_\_, filed with the demand
  - pages \_\_\_\_\_ 1-12 \_\_\_\_\_, filed with the letter of \_\_\_\_\_ 19 December 2000 (19.12.2000)
- the drawings:
  - pages \_\_\_\_\_ 1/10-10/10 \_\_\_\_\_, as originally filed
  - pages \_\_\_\_\_, filed with the demand
  - pages \_\_\_\_\_, filed with the letter of \_\_\_\_\_
- the sequence listing part of the description:
  - pages \_\_\_\_\_, as originally filed
  - pages \_\_\_\_\_, filed with the demand
  - pages \_\_\_\_\_, filed with the letter of \_\_\_\_\_

2. With regard to the language, all the elements marked above were available or furnished to this Authority in the language in which the international application was filed, unless otherwise indicated under this item.

- These elements were available or furnished to this Authority in the following language \_\_\_\_\_ which is:
- the language of a translation furnished for the purposes of international search (under Rule 23.1(b)).
  - the language of publication of the international application (under Rule 48.3(b)).
  - the language of the translation furnished for the purposes of international preliminary examination (under Rule 55.2 and/or 55.3).

3. With regard to any nucleotide and/or amino acid sequence disclosed in the international application, the international preliminary examination was carried out on the basis of the sequence listing:

- contained in the international application in written form.
- filed together with the international application in computer readable form.
- furnished subsequently to this Authority in written form.
- furnished subsequently to this Authority in computer readable form.
- The statement that the subsequently furnished written sequence listing does not go beyond the disclosure in the international application as filed has been furnished.
- The statement that the information recorded in computer readable form is identical to the written sequence listing has been furnished.

4.  The amendments have resulted in the cancellation of:

- the description, pages \_\_\_\_\_
- the claims, Nos. \_\_\_\_\_
- the drawings, sheets/fig \_\_\_\_\_

5.  This report has been established as if (some of) the amendments had not been made, since they have been considered to go beyond the disclosure as filed, as indicated in the Supplemental Box (Rule 70.2(c)).\*\*

\* Replacement sheets which have been furnished to the receiving Office in response to an invitation under Article 14 are referred to in this report as "originally filed" and are not annexed to this report since they do not contain amendments (Rule 70.16 and 70.17).

\*\* Any replacement sheet containing such amendments must be referred to under item 1 and annexed to this report.

**This Page Blank (uspto)**

## INTERNATIONAL PRELIMINARY EXAMINATION REPORT

International application No.  
PCT/FR 99/02863

## V. Reasoned statement under Article 35(2) with regard to novelty, inventive step or industrial applicability; citations and explanations supporting such statement

## 1. Statement

|                               |        |      |     |
|-------------------------------|--------|------|-----|
| Novelty (N)                   | Claims | 1-12 | YES |
|                               | Claims |      | NO  |
| Inventive step (IS)           | Claims | 12   | YES |
|                               | Claims | 1-11 | NO  |
| Industrial applicability (IA) | Claims | 1-12 | YES |
|                               | Claims |      | NO  |

## 2. Citations and explanations

**Cited documents:**

Reference is made to the following documents:

D1: Kazunobu Toguchi, Masatoshi Ueno, Hisato Shima, 'RESERVATION OF BRIDGE RESOURCES Proposal for January 26 p 1394.1 working group' [on-line].

Extracted from Internet: <URL:

<http://grouper.ieee.org/groups/1394/1/Documents/BR009r00.pdf>> January 1998

D2: Sugita/Hiraiwa/Akahane, 'PROPOSALS IN CONSIDERATION OF WIRELESS BRIDGE FABRIC' [on-line].

Extracted from Internet: <URL:

<http://grouper.ieee.org/groups/1394/1/Documents/br019r00.pdf>> March 1998

D3: Takashi Sato, '1394 Wireless Bridge with Virtual Bus' [on-line]. Extracted from Internet: <URL:

<http://grouper.ieee.org/groups/1394/1/Documents/BR029r00.pdf>> June 1998

D4: sponsor: MICROPROCESSOR AND MICROCOMPUTER STANDARDS COMMITTEE OF THE IEEE COMPUTER SOCIETY',

**This Page Blank (uspto)**



P1394.1 DRAFT STANDARD FOR HIGH PERFORMANCE SERIAL BUS BRIDGES' [on-line]. Extracted from Internet: <URL:http://grouper.ieee.org/groups/1394/1/drafts/d00\_01.pdf> 18 October 1998, cited in the application.

D5: 'IEEE p1394.1 Working Group minutes. Monday, January 26<sup>th</sup> 1998, San José, California.' [on-line]. Extracted from Internet: <URL:http://grouper.ieee.org/groups/1394/1/minutes/jan98.pdf> 26 January 1998.

D6: 'High Performance Serial Bus Bridges Minutes of the June 9-10 meeting IEEE P1394.1 Working Group' [on-line]. Extracted from Internet: <URL:http://grouper.ieee.org/groups/1394/1/minutes/jun98.pdf> 9-10 June 1998.

D7: BLOKS R. H. J.: 'THE IEEE-1394 HIGH SPEED SERIAL BUS' PHILIPS JOURNAL OF RESEARCH, vol. 50, no. 1/02, July 1 1996, pages 209-216.

1. The IEEE 1394 standard defines the configuration and management of a series communication bus specifically adapted for carrying isochronous data such as, e.g., digital video and audio data (for a description of the standard, see, e.g., paragraph 3 of document D7, by Philips).

An extension of the IEEE 1394 standard, designated as IEEE 1394.1 (document D4), in the preliminary 0.03 version thereof, extends the content of said standard in that several 1394-type buses are interconnected via 'bridges': a bridge consisting of a pair of devices called portals.  
According to one alternative for producing said

This Page Blank (uspto)

bridge, for example, a wireless radiofrequency link is used.

However, the IEEE 1394 standard refers to bridges with two portals and does not address the problem of interconnecting more than one pair of buses (three portals, four portals...).

Document D3, by Philips (considered the closest prior art), which is also presented in the "Bridge Standards Meeting" of 9-10 June 1998 in St. Petersburg, Florida (document D6), discloses a solution to this problem in the case of a wireless bridge interconnecting more than two buses (page 3); the proposed solution defines a virtual bus emulating wireless links between a node (or a terminal or a real portal or an IEEE 1394 bus) and the other portals.

Document D3 addresses the question of how to manage a wireless bridge including two nodes that are not interconnected via a direct wireless link. It is noted here that in the above-mentioned "Bridge Standard Meeting", it was decided that this should be possible (see D7, page 3, last paragraph).

There are two main problems to be solved:

I) emulating a virtual bus is not sufficient to define a connection between two nodes which are not directly connected by a wireless link;

II) the bandwidth that must be reserved by a portal in the wireless bridge is no longer independent of the bridge connectivity, since there is no longer a

**This Page Blank (uspto)**

direct link (virtual bus) between all the nodes (see the example given on page 2, lines 6-15 of the description).

The present application provides a solution to both problems by emulating, via a (direct) "**virtual bridge**", an indirect wireless link between two real portals of a wireless bridge, and by emulating a "**global bandwidth availability register**" of the wireless links of the bridge with which each bus may reserve bandwidth.

Using said register, bandwidth can be reserved globally for the wireless bridge by making the effectively available bandwidth transparent to all the bridge portals.

2. However, the present wording of Claim 1 does not include all the technical features required to define said solution (see Box VIII, paragraphs 1.1 and 1.2). Therefore, said claim does not involve an inventive step (PCT Article 33(3)).

In particular, the claim neither defines the "virtual bus", which a person skilled in the art might interpret as per the definition of document D3 (page 3), nor the "virtual bridge", which a person skilled in the art might interpret in terms of the wireless link of document D3 (page 7), connecting the virtual portal of "room A" to the virtual portal of "room C", passing through "room B".

Moreover, the wording of Claim 1 is so generic that it also encompasses the case where a wireless bridge connects two communication buses: two IEEE 1394-type

**This Page Blank (uspto)**

communication buses, linked by a bridge emulating a global bandwidth register (BRDIGE-  
\_BANDWIDTH\_AVAILABLE register), have already been disclosed in document D1 (definition 1: Bridge Resource Manager "one of two bridge portals should be a BRM" and definition 2).

3. Dependent Claims 2 to 10 do not appear to contain any additional features which, in combination with those of the claim to which they refer, define subject matter involving an inventive step (PCT Article 33(3)).

Said features are either known, or can be directly derived from the documents cited, or are alternative embodiments without inherent inventiveness.

4. Independent Claim 11, which refers to three or more portals and referring back to the other dependent claims for the definitions of "virtual bridge" and "virtual bus", could be considered to be novel and to involve an inventive step.

**This Page Blank (uspto)**



## VII. Certain defects in the international application

The following defects in the form or contents of the international application have been noted:

1. It should be noted that reference signs between parentheses, both in the preamble and in the characterising portion, should be introduced in the course of the European phase in order to facilitate understanding of the claims (PCT Rule 6.2(b)).
2. Pursuant to PCT Rule 6.3(b), the independent claims should be **correctly** drafted in the two-part form: the features contained in combination in the prior art (see D3) should appear in the first part.
3. Pursuant to Rule 5.1(a)(ii), the prior art set forth in documents D3 and D6 should have been outlined in the description and said documents cited.

**This Page Blank (uspto)**

## VIII. Certain observations on the international application

The following observations on the clarity of the claims, description, and drawings or on the question whether the claims are fully supported by the description, are made:

1.1 It appears clearly from page 2 (lines 6-15), page 3 (lines 7-13), page 4 (lines 21-23) and page 4a (lines 1-6) of the description that the following are essential features required to define the invention:

a) the definition of the "**virtual bridge**" ("each possible wireless link with another node", - page 4, lines 24-25 - also if there is no direct wireless link)

b) the definition of "**virtual bus**" ("wireless link" - page 4, lines 25-26);

c) **at least three** communication **buses** (IEEE 1394) connected via a wireless bridge.

As independent Claim 1 does not contain these features, it does not meet the requirements of PCT Article 6, in combination with PCT Rule 6.3(b), according to which an independent claim should contain all the essential technical features required to define the invention.

1.2 Claim 1 is not supported by the description (PCT Article 6), as the scope thereof is broader than is justified by the description. The reason for this is that it generally claims a global bandwidth availability register, whereas on page 8, lines 11-20 of the description, it is specified that the register is managed by a "**bandwidth manager** centralised in a **single device** (node) for the

**This Page Blank (uspto)**

INTERNATIONAL PRELIMINARY EXAMINATION REPORT

International application No.  
PCT/FR 99/02863

VIII. Certain observations on the international application

entirety of the wireless bridge".

2. Claims 2 and 3 are inconsistent, since they define a wireless link both in terms of a "virtual bus" and of a "virtual bridge".
3. Claims 3 and 4 are inconsistent, since they define a virtual bus both in terms of "a wireless link" and of "a group of wireless links".
4. To enhance compatibility with the IEEE 1394 standard, the buses of Claim 1 should have been defined as "buses according to the IEEE 1394 standard".

**This Page Blank (uspto)**

PCT

|                   |     |
|-------------------|-----|
| REC'D 26 FEB 2001 |     |
| WIPO              | PCT |

RAPPORT D'EXAMEN PRELIMINAIRE INTERNATIONAL

(article 36 et règle 70 du PCT)

|   |  |  |
|---|--|--|
| Référence du dossier du déposant ou du mandataire<br>PF980079   | <b>POUR SUITE A DONNER</b> voir la notification de transmission du rapport d'examen préliminaire international (formulaire PCT/IPEA/416) |  |
| Demande internationale n°<br>PCT/FR99/02863   | Date du dépôt international (jour/mois/année)<br>22/11/1999  | Date de priorité (jour/mois/année)<br>25/11/1998 |
| Classification internationale des brevets (CIB) ou à la fois classification nationale et CIB<br>H04L12/24 |  |  |
| Déposant<br>THOMSON MULTIMEDIA et al.   |  |  |

1. Le présent rapport d'examen préliminaire international, établi par l'administration chargée de l'examen préliminaire international, est transmis au déposant conformément à l'article 36.



2. Ce RAPPORT comprend 8 feuilles, y compris la présente feuille de couverture.

Il est accompagné d'ANNEXES, c'est-à-dire de feuilles de la description, des revendications ou des dessins qui ont été modifiées et qui servent de base au présent rapport ou de feuilles contenant des rectifications faites auprès de l'administration chargée de l'examen préliminaire international (voir la règle 70.16 et l'instruction 607 des Instructions administratives du PCT).

Ces annexes comprennent 7 feuilles.

3. Le présent rapport contient des indications relatives aux points suivants:

- I  Base du rapport
- II  Priorité
- III  Absence de formulation d'opinion quant à la nouveauté, l'activité inventive et la possibilité d'application industrielle
- IV  Absence d'unité de l'invention
- V  Déclaration motivée selon l'article 35(2) quant à la nouveauté, l'activité inventive et la possibilité d'application industrielle; citations et explications à l'appui de cette déclaration
- VI  Certains documents cités
- VII  Irrégularités dans la demande internationale
- VIII  Observations relatives à la demande internationale

|  |  |
|--|--|
| Date de présentation de la demande d'examen préliminaire internationale<br>22/06/2000  | Date d'achèvement du présent rapport<br>22.02.2001   |
| Nom et adresse postale de l'administration chargée de l'examen préliminaire international:<br> Office européen des brevets<br>D-80298 Munich<br>Tél. +49 89 2399 - 0 Tx: 523656 epmu d<br>Fax: +49 89 2399 - 4465 | Fonctionnaire autorisé<br>Grimaldo, M<br>N° de téléphone +49 89 2399 7513<br> |

This Page Blank (uspto)



**I. Base du rapport**

1. Ce rapport a été rédigé sur la base des éléments ci-après (*les feuilles de remplacement qui ont été remises à l'office récepteur en réponse à une invitation faite conformément à l'article 14 sont considérées dans le présent rapport comme "initialement déposées" et ne sont pas jointes en annexe au rapport puisqu'elles ne contiennent pas de modifications (règles 70.16 et 70.17.)*) :

**Description, pages:**

|        |                  |            |                   |            |
|--------|------------------|------------|-------------------|------------|
| 1,5-17 | version initiale |            |                   |            |
| 2-4,4a | reçue(s) le      | 22/12/2000 | avec la lettre du | 19/12/2000 |

**Revendications, N°:**

|      |             |            |                   |            |
|------|-------------|------------|-------------------|------------|
| 1-12 | reçue(s) le | 22/12/2000 | avec la lettre du | 19/12/2000 |
|------|-------------|------------|-------------------|------------|

**Dessins, feuilles:**

|            |                  |
|------------|------------------|
| 1/10-10/10 | version initiale |
|------------|------------------|

2. En ce qui concerne la **langue**, tous les éléments indiqués ci-dessus étaient à la disposition de l'administration ou lui ont été remis dans la langue dans laquelle la demande internationale a été déposée, sauf indication contraire donnée sous ce point.

Ces éléments étaient à la disposition de l'administration ou lui ont été remis dans la langue suivante: , qui est :

- la langue d'une traduction remise aux fins de la recherche internationale (selon la règle 23.1(b)).
- la langue de publication de la demande internationale (selon la règle 48.3(b)).
- la langue de la traduction remise aux fins de l'examen préliminaire internationale (selon la règle 55.2 ou 55.3).

3. En ce qui concerne les **séquences de nucléotides ou d'acide aminés** divulguées dans la demande internationale (le cas échéant), l'examen préliminaire internationale a été effectué sur la base du listage des séquences :

- contenu dans la demande internationale, sous forme écrite.
- déposé avec la demande internationale, sous forme déchiffrable par ordinateur.
- remis ultérieurement à l'administration, sous forme écrite.
- remis ultérieurement à l'administration, sous forme déchiffrable par ordinateur.
- La déclaration, selon laquelle le listage des séquences par écrit et fourni ultérieurement ne va pas au-delà de la divulgation faite dans la demande telle que déposée, a été fournie.
- La déclaration, selon laquelle les informations enregistrées sous déchiffrable par ordinateur sont identiques à celles du listage des séquences Présenté par écrit, a été fournie.

**This Page Blank (uspto)**

4. Les modifications ont entraîné l'annulation :

- de la description, pages :
- des revendications, n°s :
- des dessins, feuilles :

5.  Le présent rapport a été formulé abstraction faite (de certaines) des modifications, qui ont été considérées comme allant au-delà de l'exposé de l'invention tel qu'il a été déposé, comme il est indiqué ci-après (règle 70.2(c)) :

*(Toute feuille de remplacement comportant des modifications de cette nature doit être indiquée au point 1 et annexée au présent rapport)*

6. Observations complémentaires, le cas échéant :

**V. Déclaration motivée selon l'article 35(2) quant à la nouveauté, l'activité inventive et la possibilité d'application industrielle; citations et explications à l'appui de cette déclaration**

1. Déclaration

|  |                           |
|--|---------------------------|
| Nouveauté                              | Oui : Revendications 1-12 |
|  | Non : Revendications      |
| Activité inventive                     | Oui : Revendications 12   |
|  | Non : Revendications 1-11 |
| Possibilité d'application industrielle | Oui : Revendications 1-12 |
|  | Non : Revendications      |

2. Citations et explications  
**voir feuille séparée**

**VII. Irrégularités dans la demande internationale**

Les irrégularités suivantes, concernant la forme ou le contenu de la demande internationale, ont été constatées :  
**voir feuille séparée**

**VIII. Observations relatives à la demande internationale**

Les observations suivantes sont faites au sujet de la clarté des revendications, de la description et des dessins et de la question de savoir si les revendications se fondent entièrement sur la description :  
**voir feuille séparée**

**This Page Blank (uspto)**

**Documents mentionnés**

Il est fait référence dans le Rapport de Recherche aux documents suivants:

- D1: Kazunobu Toguchi, Masatoshi Ueno, Hisato Shima, 'RESERVATION OF BRIDGE RESOURCES Proposal for January 26 p1394.1 working group' [en ligne] Extrait de l'Internet: <URL: <http://grouper.ieee.org/groups/1394/1/Documents/BR009r00.pdf>> Janvier 1998
- D2: Sugita / Hiraiwa / Akahane, 'PROPOSALS IN CONSIDERATION OF WIRELESS BRIDGE FABRIC' [en ligne] Extrait de l'Internet: <URL:<http://grouper.ieee.org/groups/1394/1/Documents/br019r00.pdf>> Mars 1998
- D3: Takashi Sato, '1394 Wireless Bridge with Virtual Bus' [en ligne] Extrait de l'Internet: <URL: <http://grouper.ieee.org/groups/1394/1/Documents/BR029r00.pdf>> Juin 1998
- D4: sponsor: MICROPROCESSOR AND MICROCOMPUTER STANDARDS COMMITTEE OF THE IEEE COMPUTER SOCIETY, 'P1394.1 DRAFT STANDARD FOR HIGH PERFORMANCE SERIAL BUS BRIDGES' [en ligne] Extrait de l'Internet: <URL: [http://grouper.ieee.org/groups/1394/1/drafts/d00\\_01.pdf](http://grouper.ieee.org/groups/1394/1/drafts/d00_01.pdf)> 18 Octobre 1998 cité dans la demande
- D5: 'IEEE p1394.1 Working Group Minutes. Monday, January 26th, 1998 San José, California.' [en ligne] Extrait de l'Internet: <URL: <http://grouper.ieee.org/groups/1394/1/minutes/jan98.pdf>> 26 Janvier 1998
- D6: 'High Performance Serial Bus Bridges Minutes of the June 9-10 meeting IEEE P1394.1 Working Group' [en ligne] Extrait de l'Internet: <URL: <http://grouper.ieee.org/groups/1394/1/minutes/jun98.pdf>> 9-10 Juin 1998
- D7: BLOKS R H J: 'THE IEEE-1394 HIGH SPEED SERIAL BUS' PHILIPS JOURNAL OF RESEARCH, vol. 50, no. 1/02, 1 juillet 1996, pages 209-216

This page blank (upto)

**V. Déclaration motivée selon la règle 66.2.a)ii) quant à la nouveauté, l'activité inventive et la possibilité d'application industrielle; citations et explications à l'appui de cette déclaration**

1. Le Standard IEEE1394 définit la configuration et la gestion d'un bus de communication série particulièrement adapté pour le transport de données isochrones telles que, par exemple, vidéo et audio digitales (pour une description du standard voir, par exemple, le document D7 de Philips au paragraphe 3).

Une extension du standard IEEE 1394, appelé IEEE 1394.1 (document D4), dans sa version préliminaire 0.03, étend le contenu du standard en interconnectant plusieurs bus du type 1394 à l'aide de "ponts": un pont étant composé d'un couple de dispositifs appelés portails.

Une des possibilités pour réaliser un pont consiste, par exemple, en une liaison sans fils en radiofréquence.

Toutefois, l'extension du standard IEEE 1394 se réfère à des ponts à deux portails et ne traite pas le problème d'interconnecter plus qu'un couple de bus (trois portails, quatre portails, ...).

Le document D3 de Philips (considéré comme l'état de la technique le plus proche) présenté aussi dans le "Bridge Standards Meeting" du 9-10 Juin 1998 à St. Peterburg, Floride (document D6) divulgue une solution à ce problème en discutant le cas d'un pont sans fils interconnectant plus de deux bus (page 3); la solution proposée définit un bus virtuel en tant qu'émulation des liaison sans fils entre un noeud (ou terminal, ou portail réel ou bus IEEE 1394) et les autres portails.

Le document D3 se pose la question de comment doit être géré le cas d'un pont sans fils comprenant deux noeuds qui ne sont pas connectés par une liaison sans fils directe. On remarque ici que dans le "Bridge Standard Meeting" sus-mentionné, il a été décidé que ça doit être possible (voir document D7, page 3, dernier paragraphe).

Les problèmes principaux à résoudre sont au nombre de deux:

- l) l'émulation d'un bus virtuel ne suffit pas à définir une connexion entre deux noeuds qui n'ont pas une liaison sans fils directe;

This Page Blank (uspto)



- II) la bande passante qui doit être réservée dans le pont sans fils par un portail n'est plus indépendante de la connectivité existant dans le pont, car il n'existe plus une liaison directe (bus virtuel) parmi tous les noeuds (voir l'exemple de la description à la page 2, lignes 6-15).

L'application de la Demanderesse présente une solution aux deux problèmes en émulant par un **"pont virtuel"** (direct) une liaison sans fils indirecte entre deux portails réels d'un pont sans fils, et en émulant un **"registre global de disponibilité de bande passante"** des liaisons sans fils du pont auprès duquel chaque bus peut réserver de la bande passante.

Le registre permet de réserver de la bande passante globalement pour le pont sans fils en rendant transparent, à tous les portails du pont, la bande passante réellement disponible.

2. Cependant, la formulation actuelle de la revendication 1 ne contient pas toutes les caractéristiques techniques nécessaires à définir cette solution (voir section VIII, paragraphes 1.1 et 1.2) et, donc, la revendication n'implique pas d'activité inventive (Article 33(3) PCT).

En particulier, la revendication ne définit ni le "bus virtuel", que l'homme du métier pourrait comprendre de la définition du document D3 (page 3), ni le "pont virtuel", que l'homme du métier pourrait interpréter par la liaison sans fils connectant le portail virtuel de la "room A", du document D3 (page 7), au portail virtuel de la "room C" en passant par la "room B".

En plus, la formulation tellement générique de la revendication 1 comprend aussi le cas d'un pont sans fils reliant deux bus de communication: deux bus de communication du type IEEE 1394, reliés par un pont (bridge) qui émule un registre globale de bande passante (BRIDGE\_BANDWIDTH\_AVAILABLE register), sont déjà divulgués par le document D1 (definition 1: Bridge Resource Manager "one of two bridge portals should be a BRM" et definition 2).

3. Les revendications dépendantes 2-10 ne semblent pas contenir de caractéristiques supplémentaires qui, en combinaison avec l'objet de la revendication dont elles dépendent, impliqueraient une l'activité inventive (Article 33(1) et 33(3) PCT).

Celles-ci sont connues, soit directement dérivables des documents cités ou soit

**This Page Blank (usp10)**

des variantes de réalisation sans signification inventive propre.

4. La revendication indépendante 11 en se référant au moins à trois portails et en se référant aux autres revendications dépendantes pour les définitions de "pont virtuel" et "bus virtuel" pourrait être considérée comme nouvelle et impliquant une activité inventive.

### **VII. Irrégularités dans la demande internationale**

1. Il y a lieu de veiller à ce que des signes de référence entre parenthèses, ce soit dans le préambule ou dans la partie caractérisante (Règle 6.2(b) PCT), en vue de faciliter la compréhension des revendications, soient introduites dans la phase Européenne.
2. En vue de remplir les conditions de la Règle 6.3(b) PCT, les revendications indépendantes devraient être **correctement** présentées en deux parties, les caractéristiques qui, combinées, sont comprises dans l'état de la technique (voir document D3) étant indiquées dans la première partie.
3. En vue de remplir les conditions énoncées à la Règle 5.1(a)(ii) PCT, il appartient au Demandeur de citer dans la description les documents D3 et D6 et d'indiquer l'état correspondant de la technique.

### **VIII. Observations relatives à la demande internationale**

- 1.1 Il ressort clairement de la page 2 (lignes 6-15), de la page 3 (lignes 7-13), de la page 4 (lignes 21-23) et de la page 4a (lignes 1-6) de la description que les caractéristiques suivantes sont essentielles à la définition de l'invention:
  - a) la définition de "**pont virtuel**" ("chaque liaison sans fils possible avec un outre noeud", - page 4, lignes 24-25 - aussi s'il n'y a pas une liaison sans fils directe)
  - b) la définition de "**bus virtuel**" ("liaison sans fils" - page 4, lignes 25-26);

This Page Blank (uspto)

- c) **au moins trois bus** de communication (IEEE 1394) reliés par l'intermédiaire d'un pont sans fils;

La revendication indépendante 1 ne contenant pas ces caractéristiques, ne remplit pas la condition visée à l'Article 6 PCT en combinaison avec la Règle 6.3 b) PCT, qui prévoient qu'une revendication indépendante doit contenir toutes les caractéristiques techniques essentielles à la définition de l'invention.

- 1.2 La revendication 1 ne se fonde pas sur la description, comme l'exige l'Article 6 PCT, vu que sa portée est plus vaste que celle qui est justifiée par la description. La raison en est qu'elle revendique en général un registre global de disponibilité de la bande passante tandis que la description à la page 8, lignes 11-20 spécifie que le registre est géré par un **"gestionnaire de la bande passante centralisé** au niveau d'un **seul dispositif** (noeud) pour l'ensemble du pont sans fils".
2. Les revendications 2 et 3 sont incohérentes car elles définissent une liaison sans fils en tant qu'un "bus virtuel" et en tant que un "pont virtuel".
3. Les revendications 3 et 4 sont incohérentes car elles définissent un bus virtuel en tant qu'"une liaison sans fils" et en tant qu'"un groupe de liaisons sans fils".
4. Pour augmenter la compatibilité avec le standard IEEE 1394 il aurait été mieux de définir les bus de la revendication 1 en tant que "bus selon le standard IEEE 1394".

**This Page Blank (uspto)**

'BANDWIDTH\_AVAILABLE' et 'CHANNEL\_AVAILABLE'. Un noeud effectue une réservation de ressources isochrones auprès du gestionnaire de ressources isochrones en lisant les registres et en mettant à jour leur contenu selon ses besoins.

5

Le procédé de réservation décrit dans le document IEEE 1394 1995 n'est cependant pas adapté au réseau de bus connectés par un pont sans fil tel que celui de la figure 1. En effet, si le portail A doit effectuer une transmission de bande passante de largeur X vers le portail D, une bande  
10 passante de largeur 2X sera nécessaire au total: le portail A doit réserver une première bande passante de largeur X pour la transmission de A à, par exemple, C, puis une seconde bande passante de largeur X pour la transmission de C à D. En d'autres termes, la bande passante dépend de la connectivité existant dans le réseau: ce type de configuration n'est pas pris  
15 en compte par le standard IEEE 1394 1995 actuel.

Le document 'P1394.1 Draft Standard for High Performance Serial Bus Bridges - Draft 0.03 October 18, 1997' définit un pont entre deux bus de communication, le pont étant constitué de deux portails.

20 Le document "Reservation of bridge resources proposal for January 26 p1394.1 working group" par K. Toguchi et al. de janvier 1998 concerne également un pont à deux portails.

Le document "Proposals in consideration of wireless bridge fabric" par Sugita et al. de mars 1998 concerne des ponts à plus de deux  
25 portails.

L'invention concerne un procédé de gestion de ressources isochrones dans un réseau de communication comportant au moins deux bus de communication reliés par l'intermédiaire d'un pont de transmission sans fil, ledit pont comportant pour chaque bus un portail réel connecté à ce  
30 bus, chaque portail étant muni de moyens de communication sans fil, caractérisé en ce que,

ledit procédé comporte les étapes de:

35 - modélisation dudit pont sans fil par chaque portail réel sous forme de bus virtuels et de ponts virtuels, chaque pont virtuel comportant deux portails virtuels;

**This Page Blank (uspto)**



- émulation d'un registre global de disponibilité de bande passante pour l'ensemble des liaisons sans fil du pont sans fil;

- réservation de bande passante auprès dudit registre global pour les bus virtuels représentant chaque liaison sans fil participant à une communication entre deux portails réels.

La centralisation de la fonction de registre global de disponibilité de bande passante en un seul registre pour tous les bus modélisés du pont sans fil permet d'effectuer des réservations de bande passante globalement pour ce pont sans fil. En transmettant des demandes de réservation de bande passante reçues sur des bus modélisés vers cet unique registre, la centralisation de la fonction est rendue transparente à un noeud effectuant la réservation.

D'autres caractéristiques et avantages de l'invention apparaîtront à travers la description de deux exemples de réalisation particuliers non limitatifs décrits à l'aide des figures jointes, parmi lesquelles :

- la figure 1 est un schéma représentant un pont sans fil entre plusieurs bus ;

- la figure 2 est un schéma représentant une modélisation du pont de la figure 1 par utilisation de bus virtuels selon un premier exemple de réalisation ;

- la figure 3 est un schéma représentant les éléments réels et virtuels du noeud A de la figure 2 ;

- la figure 4 est un diagramme temporel explicitant les échanges de messages entre éléments du réseau dans le cadre d'une réservation de ressources ;

- la figure 5 représente une modélisation du pont de la figure 1 par utilisation de ponts bi-portails virtuels selon un deuxième exemple de réalisation ;

- la figure 6 est un schéma représentant les éléments réels et virtuels du noeud A de la figure 5 ;

- la figure 7 est une simplification de la modélisation selon une première variante du premier exemple de réalisation ;

- la figure 8 est une simplification supplémentaire de la modélisation de la figure 7 selon une seconde variante du premier exemple de réalisation ;

**This Page Blank (copy)**

- la figure 9a est un schéma représentant une modélisation d'un exemple particulier de lien entre deux noeuds, selon le premier exemple de réalisation ;

5 - la figure 9b est un schéma représentant une simplification de la modélisation de la figure 9a selon une seconde variante du premier exemple de réalisation ;

- la figure 10a est un schéma représentant une modélisation d'un exemple particulier de lien entre deux noeuds selon le second exemple de réalisation ;

10 - la figure 10b est un schéma représentant une simplification de la modélisation selon une variante du second exemple de réalisation.

La demande de brevet français 98 04982 du 21 avril 1998 déposée au nom de THOMSON multimedia et portant le titre "Procédé de synchronisation dans un réseau de communication sans fil" concerne également un pont sans fil reliant plusieurs bus de communication, notamment de type IEEE 1394 1995. Cette demande constitue la demande de priorité de la demande PCT WO99/55028, publiée le 28/10/1999 et est consultable dans le dossier public de cette dernière.

20 Selon un premier exemple de réalisation, une décomposition d'un pont multi-portails en un nombre donné de ponts bi-portails est réalisée en représentant une connexion entre deux portails par un bus virtuel.

25 Une telle modélisation dans le cas de l'exemple de la figure 1 est donnée par la figure 2. Les pointillés définissent les bornes des différents noeuds faisant office de portail. On distinguera ici la notion de noeud, qui englobe le dispositif lui-même, ainsi que la notion de portail, en référence à la fonction première du noeud. Cette distinction est faite pour clarifier la description qui va suivre. En effet, un noeud peut simuler, par exemple de façon logicielle, des éléments virtuels tels que des bus et des portails virtuels. Le portail réel (noté A, B, C ou D ci-dessous) du noeud est alors mis fonctionnellement au même niveau que les portails virtuels, bien qu'en réalité ce soit ce portail réel lui-même qui simule les éléments virtuels.

35 Chaque noeud comporte un pont reliant son bus IEEE 1394 à un bus virtuel interne. Ce pont se compose du portail réel connecté au bus IEEE 1394 et d'un portail virtuel connecté au bus virtuel interne.

This Page Blank (USPS)

Chaque noeud comporte en outre un pont virtuel pour chaque liaison sans fil possible avec un autre noeud. Une liaison sans fil est représentée par un bus virtuel. Un pont virtuel comporte deux portails virtuels, connectés respectivement au bus virtuel interne du noeud et au bus virtuel représentant la liaison sans fil.

Les bus virtuels internes diffèrent des bus virtuels représentant les liaisons sans fil par un aspect important pour la réservation des ressources: tandis qu'un bus virtuel représentant une liaison sans fil possède une bande passante limitée, ce n'est pas le cas du bus interne.

De manière générale, la notation suivante est adoptée :

|      |                                       |
|------|---------------------------------------|
| b_X  | Bus virtuel du portail X              |
| b_XY | Bus virtuel entre les portails X et Y |

**This Page Blank (uspto)**

## Revendications

5 1. Procédé de gestion de ressources isochrones dans un réseau de communication comportant au moins deux bus de communication reliés par l'intermédiaire d'un pont de transmission sans fil, ledit pont comportant pour chaque bus un portail réel connecté à ce bus, chaque portail étant muni de moyens de communication sans fil, caractérisé en ce que,

ledit procédé comporte les étapes de:

10 - modélisation dudit pont sans fil par chaque portail réel sous forme de bus virtuels et de ponts virtuels, chaque pont virtuel comportant deux portails virtuels;

- émulation d'un registre global de disponibilité de bande passante pour l'ensemble des liaisons sans fil du pont sans fil;

15 - réservation de bande passante auprès dudit registre global pour les bus virtuels représentant chaque liaison sans fil participant à une communication entre deux portails réels.

20 2. Procédé selon la revendication 1, caractérisé en ce qu'une liaison sans fil est modélisée sous la forme d'un pont virtuel.

3. Procédé selon la revendication 1, caractérisé en ce qu'une liaison sans fil est modélisée sous la forme d'un bus virtuel.

25 4. Procédé selon la revendication 1, caractérisé en ce qu'un groupe de liaisons sans fil reliant un groupe de portails à connectivité complète au sein d'un réseau plus vaste à connectivité partielle est modélisé sous la forme d'un bus virtuel.

30 5. Procédé selon l'une des revendications 3 ou 4, caractérisé en ce que chaque portail réel émule :

- un portail virtuel formant avec le portail réel un pont reliant le bus de communication connecté au portail réel à un bus virtuel dit interne également émulé par ledit portail réel ;

35 - un pont virtuel pour chaque liaison sans fil avec un autre portail réel.

This Page Blank (uspiu)



6. Procédé selon la revendication 2, caractérisé en ce que chaque portail réel émule :

- un portail virtuel formant avec le portail réel un pont reliant le bus de communication connecté au portail réel à un bus virtuel dit interne également émulé par ledit portail réel ;

- un portail virtuel pour chaque liaison sans fil avec d'autres portails du pont sans fil, deux portails virtuels correspondant à la même liaison sans fil entre deux portails réels formant un pont virtuel représentant la liaison sans fil.

7. Procédé selon l'une des revendications 4 ou 5, caractérisé en ce qu'il comporte en outre l'étape de suppression d'un bus interne et des portails virtuels qui y sont connectés, et de contraction en un pont des deux portails orphelins ainsi créés, dans le cas où le portail réel comportant ledit bus interne fait partie d'une unique liaison sans fil.

8. Procédé selon l'une des revendications 1 à 7, caractérisé en ce qu'il comporte en outre l'étape de détermination par chaque portail réel, de l'ensemble des liaisons sans fil entre les portails réels.

9. Procédé selon la revendication 8, caractérisé en ce ladite étape de détermination de l'ensemble des liaisons sans fil comporte les étapes de :

- identification, par chaque portail réel, des autres portails réels dont des données lui parviennent directement ;

- transmission à destination de tous les autres portails réels du réseau sans fil, de la liste des portails réels avec lesquels une liaison directe existe ;

- réception de ladite liste établie par chacun des autres portails.

10. Procédé selon l'une des revendications précédentes, caractérisé en ce qu'il comporte également l'étape d'émulation d'un registre de disponibilité de canaux isochrones pour chaque bus virtuel.

11. Procédé selon l'une des revendications précédentes, caractérisé en ce que l'étape de réservation de bande passante auprès dudit registre global comporte le lancement d'une requête de réservation de bande passante auprès d'un gestionnaire de ressources isochrones d'un bus virtuel

**This Page Blank (uspto)**

et de transmission de la requête par ledit gestionnaire de ressources isochrones du bus virtuel à un module logiciel gérant le registre global de disponibilité de bande passante.

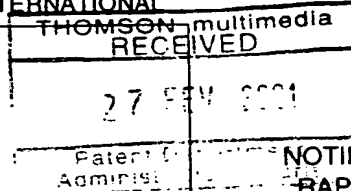
- 5                    12. Procédé selon l'une des revendications 1 à 11, caractérisé en ce que le pont comporte au moins trois portails.

**This Page Blank (uspio)**

Expéditeur: L'ADMINISTRATION CHARGEE DE  
 L'EXAMEN PRELIMINAIRE INTERNATIONAL

KCH

Destinataire:  
 Kohrs, Martin.  
 THOMSON MULTIMEDIA  
 46 Quai Alphonse Le Gallo  
 F-92648 Boulogne Cedex  
 FRANCE



PCT

NOTIFICATION DE TRANSMISSION DU  
 RAPPORT D'EXAMEN PRELIMINAIRE  
 INTERNATIONAL  
 (règle 71.1 du PCT)

Date d'expédition  
 (jour/mois/année) 22.02.2001

Référence du dossier du déposant ou du mandataire  
 PF980079

NOTIFICATION IMPORTANTE

Demande internationale No.  
 PCT/FR99/02863

Date du dépôt international (jour/mois/année)  
 22/11/1999

Date de priorité (jour/mois/année)  
 25/11/1998

Déposant  
 THOMSON MULTIMEDIA et al.

1. Il est notifié au déposant que l'administration chargée de l'examen préliminaire international a établi le rapport d'examen préliminaire international pour la demande internationale et le lui transmet ci-joint, accompagné, le cas échéant, de ces annexes.

2. Une copie du présent rapport et, le cas échéant, de ses annexes est transmise au Bureau international pour communication à tous les offices élus.

3. Si tel ou tel office élu l'exige, le Bureau international établira une traduction en langue anglaise du rapport (à l'exclusion des annexes de celui-ci) et la transmettra aux offices intéressés.


4. **RAPPEL**

Pour aborder la phase nationale auprès de chaque office élu, le déposant doit accomplir certains actes (dépôt de traduction et paiement des taxes nationales) dans le délai de 30 mois à compter de la date de priorité (ou plus tard pour ce qui concerne certains offices) (article 39.1) (voir aussi le rappel envoyé par le Bureau international dans le formulaire PCT/IB/301).

Lorsqu'une traduction de la demande internationale doit être remise à un office élu, elle doit comporter la traduction de toute annexe du rapport d'examen préliminaire international. Il appartient au déposant d'établir la traduction en question et de la remettre directement à chaque office élu intéressé.

Pour plus de précisions en ce qui concerne les délais applicables et les exigences des offices élus, voir le Volume II du Guide du déposant du PCT.


Nom et adresse postale de l'administration chargée de l'examen préliminaire international

 Office européen des brevets  
 D-80298 Munich  
 Tél. +49 89 2399 - 0 Tx: 523656 epmu d  
 Fax: +49 89 2399 - 4465

Fonctionnaire autorisé

Barrio Baranano, A

Tél. +49 89 2399-8621



This Page Blank (copy)

**RAPPORT D'EXAMEN  
PRÉLIMINAIRE INTERNATIONAL**

Demande internationale n° PCT/FR99/02863

**I. Base du rapport**

1. Ce rapport a été rédigé sur la base des éléments ci-après (*les feuilles de remplacement qui ont été remises à l'office récepteur en réponse à une invitation faite conformément à l'article 14 sont considérées dans le présent rapport comme "initialement déposées" et ne sont pas jointes en annexe au rapport puisqu'elles ne contiennent pas de modifications (règles 70.16 et 70.17).*) :

**Description, pages:**

|        |                  |            |                   |            |
|--------|------------------|------------|-------------------|------------|
| 1,5-17 | version initiale |            |                   |            |
| 2-4,4a | reçue(s) le      | 22/12/2000 | avec la lettre du | 19/12/2000 |

**Revendications, N°:**

|      |             |            |                   |            |
|------|-------------|------------|-------------------|------------|
| 1-12 | reçue(s) le | 22/12/2000 | avec la lettre du | 19/12/2000 |
|------|-------------|------------|-------------------|------------|

**Dessins, feuilles:**

|            |                  |
|------------|------------------|
| 1/10-10/10 | version initiale |
|------------|------------------|

2. En ce qui concerne la **langue**, tous les éléments indiqués ci-dessus étaient à la disposition de l'administration ou lui ont été remis dans la langue dans laquelle la demande internationale a été déposée, sauf indication contraire donnée sous ce point.

Ces éléments étaient à la disposition de l'administration ou lui ont été remis dans la langue suivante: , qui est :

- la langue d'une traduction remise aux fins de la recherche internationale (selon la règle 23.1(b)).
  - la langue de publication de la demande internationale (selon la règle 48.3(b)).
  - la langue de la traduction remise aux fins de l'examen préliminaire internationale (selon la règle 55.2 ou 55.3).
3. En ce qui concerne les **séquences de nucléotides ou d'acide aminés** divulguées dans la demande internationale (le cas échéant), l'examen préliminaire internationale a été effectué sur la base du listage des séquences :
- contenu dans la demande internationale, sous forme écrite.
  - déposé avec la demande internationale, sous forme déchiffrable par ordinateur.
  - remis ultérieurement à l'administration, sous forme écrite.
  - remis ultérieurement à l'administration, sous forme déchiffrable par ordinateur.
  - La déclaration, selon laquelle le listage des séquences par écrit et fourni ultérieurement ne va pas au-delà de la divulgation faite dans la demande telle que déposée, a été fournie.
  - La déclaration, selon laquelle les informations enregistrées sous déchiffrable par ordinateur sont identiques à celles du listage des séquences Présenté par écrit, a été fournie.

**This Page Blank (uspto)**



4. Les modifications ont entraîné l'annulation :

- de la description, pages :
- des revendications, n<sup>os</sup> :
- des dessins, feuilles :

5.  Le présent rapport a été formulé abstraction faite (de certaines) des modifications, qui ont été considérées comme allant au-delà de l'exposé de l'invention tel qu'il a été déposé, comme il est indiqué ci-après (règle 70.2(c)) :

*(Toute feuille de remplacement comportant des modifications de cette nature doit être indiquée au point 1 et annexée au présent rapport)*

6. Observations complémentaires, le cas échéant :

**V. Déclaration motivée selon l'article 35(2) quant à la nouveauté, l'activité inventive et la possibilité d'application industrielle; citations et explications à l'appui de cette déclaration**

1. Déclaration

|  |                           |
|--|---------------------------|
| Nouveauté                              | Oui : Revendications 1-12 |
|  | Non : Revendications      |
| Activité inventive                     | Oui : Revendications 12   |
|  | Non : Revendications 1-11 |
| Possibilité d'application industrielle | Oui : Revendications 1-12 |
|  | Non : Revendications      |

2. Citations et explications  
**voir feuille séparée**

**VII. Irrégularités dans la demande internationale**

Les irrégularités suivantes, concernant la forme ou le contenu de la demande internationale, ont été constatées :  
**voir feuille séparée**

**VIII. Observations relatives à la demande internationale**

Les observations suivantes sont faites au sujet de la clarté des revendications, de la description et des dessins et de la question de savoir si les revendications se fondent entièrement sur la description :  
**voir feuille séparée**


**This Page Blank (uspto)**

# TRAITE DE COOPERATION EN MATIERE DE BREVETS

## PCT

### RAPPORT D'EXAMEN PRELIMINAIRE INTERNATIONAL

(article 36 et règle 70 du PCT)

|   |  |   |
|---|--|---|
| Référence du dossier du déposant ou du mandataire<br>PF980079   | <b>POUR SUITE A DONNER</b> voir la notification de transmission du rapport d'examen préliminaire international (formulaire PCT/IPEA/416) |   |
| Demande internationale n°<br>PCT/FR99/02863   | Date du dépôt international ( <i>jour/mois/année</i> )<br>22/11/1999   | Date de priorité ( <i>jour/mois/année</i> )<br>25/11/1998 |
| Classification internationale des brevets (CIB) ou à la fois classification nationale et CIB<br>H04L12/24   |  |   |
| Déposant<br>THOMSON MULTIMEDIA et al.   |  |   |
| <p>1. Le présent rapport d'examen préliminaire international, établi par l'administration chargée de l'examen préliminaire international, est transmis au déposant conformément à l'article 36.</p> <p>2. Ce RAPPORT comprend 8 feuilles, y compris la présente feuille de couverture.</p> <p><input checked="" type="checkbox"/> Il est accompagné d'ANNEXES, c'est-à-dire de feuilles de la description, des revendications ou des dessins qui ont été modifiées et qui servent de base au présent rapport ou de feuilles contenant des rectifications faites auprès de l'administration chargée de l'examen préliminaire international (voir la règle 70.16 et l'instruction 607 des Instructions administratives du PCT).</p> <p>Ces annexes comprennent 7 feuilles.</p>  |  |   |
| <p>3. Le présent rapport contient des indications relatives aux points suivants:</p> <ul style="list-style-type: none"> <li>I <input checked="" type="checkbox"/> Base du rapport</li> <li>II <input type="checkbox"/> Priorité</li> <li>III <input type="checkbox"/> Absence de formulation d'opinion quant à la nouveauté, l'activité inventive et la possibilité d'application industrielle</li> <li>IV <input type="checkbox"/> Absence d'unité de l'invention</li> <li>V <input checked="" type="checkbox"/> Déclaration motivée selon l'article 35(2) quant à la nouveauté, l'activité inventive et la possibilité d'application industrielle; citations et explications à l'appui de cette déclaration</li> <li>VI <input type="checkbox"/> Certains documents cités</li> <li>VII <input checked="" type="checkbox"/> Irrégularités dans la demande internationale</li> <li>VIII <input checked="" type="checkbox"/> Observations relatives à la demande internationale</li> </ul> |  |   |
| Date de présentation de la demande d'examen préliminaire internationale<br>22/06/2000   | Date d'achèvement du présent rapport<br>22.02.2001   |   |
| Nom et adresse postale de l'administration chargée de l'examen préliminaire international:<br> Office européen des brevets<br>D-80298 Munich<br>Tél. +49 89 2399 - 0 Tx: 523656 epmu d<br>Fax: +49 89 2399 - 4465  | Fonctionnaire autorisé<br>Grimaldo, M<br>N° de téléphone +49 89 2399 7513  |   |



**This Page Blank (uspio)**

**Documents mentionnés**

Il est fait référence dans le Rapport de Recherche aux documents suivants:

- D1: Kazunobu Toguchi, Masatoshi Ueno, Hisato Shima, 'RESERVATION OF BRIDGE RESOURCES Proposal for January 26 p1394.1 working group' [en ligne] Extrait de l'Internet: <URL: <http://grouper.ieee.org/groups/1394/1/Documents/BR009r00.pdf>> Janvier 1998
- D2: Sugita / Hiraiwa / Akahane, 'PROPOSALS IN CONSIDERATION OF WIRELESS BRIDGE FABRIC' [en ligne] Extrait de l'Internet: <URL:<http://grouper.ieee.org/groups/1394/1/Documents/br019r00.pdf>> Mars 1998
- D3: Takashi Sato, '1394 Wireless Bridge with Virtual Bus' [en ligne] Extrait de l'Internet: <URL: <http://grouper.ieee.org/groups/1394/1/Documents/BR029r00.pdf>> Juin 1998**
- D4: sponsor: MICROPROCESSOR AND MICROCOMPUTER STANDARDS COMMITTEE OF THE IEEE COMPUTER SOCIETY, 'P1394.1 DRAFT STANDARD FOR HIGH PERFORMANCE SERIAL BUS BRIDGES' [en ligne] Extrait de l'Internet: <URL: [http://grouper.ieee.org/groups/1394/1/drafts/d00\\_01.pdf](http://grouper.ieee.org/groups/1394/1/drafts/d00_01.pdf)> 18 Octobre 1998 cité dans la demande
- D5: 'IEEE p1394.1 Working Group Minutes. Monday, January 26th, 1998 San José, California.' [en ligne] Extrait de l'Internet: <URL: <http://grouper.ieee.org/groups/1394/1/minutes/jan98.pdf>> 26 Janvier 1998
- D6: 'High Performance Serial Bus Bridges Minutes of the June 9-10 meeting IEEE P1394.1 Working Group' [en ligne] Extrait de l'Internet: <URL: <http://grouper.ieee.org/groups/1394/1/minutes/jun98.pdf>> 9-10 Juin 1998
- D7: BLOKS R H J: 'THE IEEE-1394 HIGH SPEED SERIAL BUS' PHILIPS JOURNAL OF RESEARCH, vol. 50, no. 1/02, 1 juillet 1996, pages 209-216

**This Page Blank (uspio)**

**V. Déclaration motivée selon la règle 66.2.a)ii) quant à la nouveauté, l'activité inventive et la possibilité d'application industrielle; citations et explications à l'appui de cette déclaration**

1. Le Standard IEEE1394 définit la configuration et la gestion d'un bus de communication série particulièrement adapté pour le transport de données isochrones telles que, par exemple, vidéo et audio digitales (pour une description du standard voir, par exemple, le document D7 de Philips au paragraphe 3).

Une extension du standard IEEE 1394, appelé IEEE 1394.1 (document D4), dans sa version préliminaire 0.03, étend le contenu du standard en interconnectant plusieurs bus du type 1394 à l'aide de "ponts": un pont étant composé d'un couple de dispositifs appelés portails.

Une des possibilités pour réaliser un pont consiste, par exemple, en une liaison sans fils en radiofréquence.

Toutefois, l'extension du standard IEEE 1394 se réfère à des ponts à deux portails et ne traite pas le problème d'interconnecter plus qu'un couple de bus (trois portails, quatre portails, ...).

Le document D3 de Philips (considéré comme l'état de la technique le plus proche) présenté aussi dans le "Bridge Standards Meeting" du 9-10 Juin 1998 à St. Peterburg, Floride (document D6) divulgue une solution à ce problème en discutant le cas d'un pont sans fils interconnectant plus de deux bus (page 3); la solution proposée définit un bus virtuel en tant qu'émulation des liaison sans fils entre un noeud (ou terminal, ou portail réel ou bus IEEE 1394) et les autres portails.

Le document D3 se pose la question de comment doit être géré le cas d'un pont sans fils comprenant deux noeuds qui ne sont pas connectés par une liaison sans fils directe. On remarque ici que dans le "Bridge Standard Meeting" sus-mentionné, il a été décidé que ça doit être possible (voir document D7, page 3, dernier paragraphe).

Les problèmes principaux à résoudre sont au nombre de deux:

- l) l'émulation d'un bus virtuel ne suffit pas à définir une connexion entre deux noeuds qui n'ont pas une liaison sans fils directe;

This Page Blank (uspic,



- II) la bande passante qui doit être réservée dans le pont sans fils par un portail n'est plus indépendante de la connectivité existant dans le pont, car il n'existe plus une liaison directe (bus virtuel) parmi tous les noeuds (voir l'exemple de la description à la page 2, lignes 6-15).

L'application de la Demanderesse présente une solution aux deux problèmes en émulant par un **"pont virtuel"** (direct) une liaison sans fils indirecte entre deux portails réels d'un pont sans fils, et en émulant un **"registre global de disponibilité de bande passante"** des liaisons sans fils du pont auprès duquel chaque bus peut réserver de la bande passante.

Le registre permet de réserver de la bande passante globalement pour le pont sans fils en rendant transparent, à tous les portails du pont, la bande passante réellement disponible.

2. Cependant, la formulation actuelle de la revendication 1 ne contient pas toutes les caractéristiques techniques nécessaires à définir cette solution (voir section VIII, paragraphes 1.1 et 1.2) et, donc, la revendication n'implique pas d'activité inventive (Article 33(3) PCT).

En particulier, la revendication ne définit ni le "bus virtuel", que l'homme du métier pourrait comprendre de la définition du document D3 (page 3), ni le "pont virtuel", que l'homme du métier pourrait interpréter par la liaison sans fils connectant le portail virtuel de la "room A", du document D3 (page 7), au portail virtuel de la "room C" en passant par la "room B".

En plus, la formulation tellement générique de la revendication 1 comprend aussi le cas d'un pont sans fils reliant deux bus de communication: deux bus de communication du type IEEE 1394, reliés par un pont (bridge) qui émule un registre globale de bande passante (BRIDGE\_BANDWIDTH\_AVAILABLE register), sont déjà divulgués par le document D1 (definition 1: Bridge Resource Manager "one of two bridge portals should be a BRM" et definition 2).

3. Les revendications dépendantes 2-10 ne semblent pas contenir de caractéristiques supplémentaires qui, en combinaison avec l'objet de la revendication dont elles dépendent, impliqueraient une l'activité inventive (Article 33(1) et 33(3) PCT).

Celles-ci sont connues, soit directement dérivables des documents cités ou soit

**This Page Blank (uspto)**

des variantes de réalisation sans signification inventive propre.

4. La revendication indépendante 11 en se référant au moins à trois portails et en se référant aux autres revendications dépendantes pour les définitions de "pont virtuel" et "bus virtuel" pourrait être considérée comme nouvelle et impliquant une activité inventive.

### **VII. Irrégularités dans la demande internationale**

1. Il y a lieu de veiller à ce que des signes de référence entre parenthèses, ce soit dans le préambule ou dans la partie caractérisante (Règle 6.2(b) PCT), en vue de faciliter la compréhension des revendications, soient introduites dans la phase Européenne.
2. En vue de remplir les conditions de la Règle 6.3(b) PCT, les revendications indépendantes devraient être **correctement** présentées en deux parties, les caractéristiques qui, combinées, sont comprises dans l'état de la technique (voir document D3) étant indiquées dans la première partie.
3. En vue de remplir les conditions énoncées à la Règle 5.1(a)(ii) PCT, il appartient au Demandeur de citer dans la description les documents D3 et D6 et d'indiquer l'état correspondant de la technique.

### **VIII. Observations relatives à la demande internationale**

- 1.1 Il ressort clairement de la page 2 (lignes 6-15), de la page 3 (lignes 7-13), de la page 4 (lignes 21-23) et de la page 4a (lignes 1-6) de la description que les caractéristiques suivantes sont essentielles à la définition de l'invention:
  - a) la définition de "**pont virtuel**" ("chaque liaison sans fils possible avec un outre noeud", - page 4, lignes 24-25 - aussi s'il n'y a pas une liaison sans fils directe)
  - b) la définition de "**bus virtuel**" ("liaison sans fils" - page 4, lignes 25-26);

**This Page Blank (uspto)**

- c) **au moins trois bus** de communication (IEEE 1394) reliés par l'intermédiaire d'un pont sans fils;

La revendication indépendante 1 ne contenant pas ces caractéristiques, ne remplit pas la condition visée à l'Article 6 PCT en combinaison avec la Règle 6.3 b) PCT, qui prévoient qu'une revendication indépendante doit contenir toutes les caractéristiques techniques essentielles à la définition de l'invention.

- 1.2 La revendication 1 ne se fonde pas sur la description, comme l'exige l'Article 6 PCT, vu que sa portée est plus vaste que celle qui est justifiée par la description. La raison en est qu'elle revendique en général un registre global de disponibilité de la bande passante tandis que la description à la page 8, lignes 11-20 spécifie que le registre est géré par un **"gestionnaire de la bande passante centralisé au niveau d'un seul dispositif (noeud) pour l'ensemble du pont sans fils"**.
2. Les revendications 2 et 3 sont incohérentes car elles définissent une liaison sans fils en tant qu'un **"bus virtuel"** et en tant que un **"pont virtuel"**.
3. Les revendications 3 et 4 sont incohérentes car elles définissent un bus virtuel en tant qu'"une liaison sans fils" et en tant qu'"un groupe de liaisons sans fils".
4. Pour augmenter la compatibilité avec le standard IEEE 1394 il aurait été mieux de définir les bus de la revendication 1 en tant que **"bus selon le standard IEEE 1394"**.

This Page Blank (uspto)

'BANDWIDTH\_AVAILABLE' et 'CHANNEL\_AVAILABLE'. Un noeud effectue une réservation de ressources isochrones auprès du gestionnaire de ressources isochrones en lisant les registres et en mettant à jour leur contenu selon ses besoins.

5

Le procédé de réservation décrit dans le document IEEE 1394 1995 n'est cependant pas adapté au réseau de bus connectés par un pont sans fil tel que celui de la figure 1. En effet, si le portail A doit effectuer une transmission de bande passante de largeur X vers le portail D, une bande  
10 passante de largeur 2X sera nécessaire au total: le portail A doit réserver une première bande passante de largeur X pour la transmission de A à, par exemple, C, puis une seconde bande passante de largeur X pour la transmission de C à D. En d'autres termes, la bande passante dépend de la connectivité existant dans le réseau: ce type de configuration n'est pas pris  
15 en compte par le standard IEEE 1394 1995 actuel.

Le document 'P1394.1 Draft Standard for High Performance Serial Bus Bridges - Draft 0.03 October 18, 1997' définit un pont entre deux bus de communication, le pont étant constitué de deux portails.

20 Le document "Reservation of bridge resources proposal for January 26 p1394.1 working group" par K. Toguchi et al. de janvier 1998 concerne également un pont à deux portails.

Le document "Proposals in consideration of wireless bridge fabric" par Sugita et al. de mars 1998 concerne des ponts à plus de deux  
25 portails.

L'invention concerne un procédé de gestion de ressources isochrones dans un réseau de communication comportant au moins deux bus de communication reliés par l'intermédiaire d'un pont de transmission sans fil, ledit pont comportant pour chaque bus un portail réel connecté à ce  
30 bus, chaque portail étant muni de moyens de communication sans fil, caractérisé en ce que,

ledit procédé comporte les étapes de:

35 - modélisation dudit pont sans fil par chaque portail réel sous forme de bus virtuels et de ponts virtuels, chaque pont virtuel comportant deux portails virtuels;

**This Page Blank (uspto)**



- émulation d'un registre global de disponibilité de bande passante pour l'ensemble des liaisons sans fil du pont sans fil;

- réservation de bande passante auprès dudit registre global pour les bus virtuels représentant chaque liaison sans fil participant à une communication entre deux portails réels.

La centralisation de la fonction de registre global de disponibilité de bande passante en un seul registre pour tous les bus modélisés du pont sans fil permet d'effectuer des réservations de bande passante globalement pour ce pont sans fil. En transmettant des demandes de réservation de bande passante reçues sur des bus modélisés vers cet unique registre, la centralisation de la fonction est rendue transparente à un noeud effectuant la réservation.

D'autres caractéristiques et avantages de l'invention apparaîtront à travers la description de deux exemples de réalisation particuliers non limitatifs décrits à l'aide des figures jointes, parmi lesquelles :

- la figure 1 est un schéma représentant un pont sans fil entre plusieurs bus ;
- la figure 2 est un schéma représentant une modélisation du pont de la figure 1 par utilisation de bus virtuels selon un premier exemple de réalisation ;
- la figure 3 est un schéma représentant les éléments réels et virtuels du noeud A de la figure 2 ;
- la figure 4 est un diagramme temporel explicitant les échanges de messages entre éléments du réseau dans le cadre d'une réservation de ressources ;
- la figure 5 représente une modélisation du pont de la figure 1 par utilisation de ponts bi-portails virtuels selon un deuxième exemple de réalisation ;
- la figure 6 est un schéma représentant les éléments réels et virtuels du noeud A de la figure 5 ;
- la figure 7 est une simplification de la modélisation selon une première variante du premier exemple de réalisation ;
- la figure 8 est une simplification supplémentaire de la modélisation de la figure 7 selon une seconde variante du premier exemple de réalisation ;

**This Page Blank (uspto)**

- la figure 9a est un schéma représentant une modélisation d'un exemple particulier de lien entre deux noeuds, selon le premier exemple de réalisation ;

5 - la figure 9b est un schéma représentant une simplification de la modélisation de la figure 9a selon une seconde variante du premier exemple de réalisation ;

- la figure 10a est un schéma représentant une modélisation d'un exemple particulier de lien entre deux noeuds selon le second exemple de réalisation ;

10 - la figure 10b est un schéma représentant une simplification de la modélisation selon une variante du second exemple de réalisation.

15 La demande de brevet français 98 04982 du 21 avril 1998 déposée au nom de THOMSON multimedia et portant le titre "Procédé de synchronisation dans un réseau de communication sans fil" concerne également un pont sans fil reliant plusieurs bus de communication, notamment de type IEEE 1394 1995. Cette demande constitue la demande de priorité de la demande PCT WO99/55028, publiée le 28/10/1999 et est consultable dans le dossier public de cette dernière.

20

Selon un premier exemple de réalisation, une décomposition d'un pont multi-portails en un nombre donné de ponts bi-portails est réalisée en représentant une connexion entre deux portails par un bus virtuel.

25 Une telle modélisation dans le cas de l'exemple de la figure 1 est donnée par la figure 2. Les pointillés définissent les bornes des différents noeuds faisant office de portail. On distinguera ici la notion de noeud, qui englobe le dispositif lui-même, ainsi que la notion de portail, en référence à la fonction première du noeud. Cette distinction est faite pour clarifier la description qui va suivre. En effet, un noeud peut simuler, par exemple de  
30 façon logicielle, des éléments virtuels tels que des bus et des portails virtuels. Le portail réel (noté A, B, C ou D ci-dessous) du noeud est alors mis fonctionnellement au même niveau que les portails virtuels, bien qu'en réalité ce soit ce portail réel lui-même qui simule les éléments virtuels.

35

Chaque noeud comporte un pont reliant son bus IEEE 1394 à un bus virtuel interne. Ce pont se compose du portail réel connecté au bus IEEE 1394 et d'un portail virtuel connecté au bus virtuel interne.

This Page Blank (uspto)

Chaque noeud comporte en outre un pont virtuel pour chaque liaison sans fil possible avec un autre noeud. Une liaison sans fil est représentée par un bus virtuel. Un pont virtuel comporte deux portails virtuels, connectés respectivement au bus virtuel interne du noeud et au bus virtuel représentant la liaison sans fil.

Les bus virtuels internes diffèrent des bus virtuels représentant les liaisons sans fil par un aspect important pour la réservation des ressources: tandis qu'un bus virtuel représentant une liaison sans fil possède une bande passante limitée, ce n'est pas le cas du bus interne.

De manière générale, la notation suivante est adoptée :

|      |                                       |
|------|---------------------------------------|
| b_X  | Bus virtuel du portail X              |
| b_XY | Bus virtuel entre les portails X et Y |

**This Page Blank (uspto)**

## Revendications

- 5           1. Procédé de gestion de ressources isochrones dans un réseau de communication comportant au moins deux bus de communication reliés par l'intermédiaire d'un pont de transmission sans fil, ledit pont comportant pour chaque bus un portail réel connecté à ce bus, chaque portail étant muni de moyens de communication sans fil, caractérisé en ce que,
- ledit procédé comporte les étapes de:
- 10           - modélisation dudit pont sans fil par chaque portail réel sous forme de bus virtuels et de ponts virtuels, chaque pont virtuel comportant deux portails virtuels;
- émulation d'un registre global de disponibilité de bande passante pour l'ensemble des liaisons sans fil du pont sans fil;
- 15           - réservation de bande passante auprès dudit registre global pour les bus virtuels représentant chaque liaison sans fil participant à une communication entre deux portails réels.
2. Procédé selon la revendication 1, caractérisé en ce qu'une
- 20 liaison sans fil est modélisée sous la forme d'un pont virtuel.
3. Procédé selon la revendication 1, caractérisé en ce qu'une
- liaison sans fil est modélisée sous la forme d'un bus virtuel.
- 25           4. Procédé selon la revendication 1, caractérisé en ce qu'un groupe de liaisons sans fil reliant un groupe de portails à connectivité complète au sein d'un réseau plus vaste à connectivité partielle est modélisé sous la forme d'un bus virtuel.
- 30           5. Procédé selon l'une des revendications 3 ou 4, caractérisé en ce que chaque portail réel émule :
- un portail virtuel formant avec le portail réel un pont reliant le bus de communication connecté au portail réel à un bus virtuel dit interne également émulé par ledit portail réel ;
- 35           - un pont virtuel pour chaque liaison sans fil avec un autre portail réel.

This Page Blank (uspto)



6. Procédé selon la revendication 2, caractérisé en ce que chaque portail réel émule :

- un portail virtuel formant avec le portail réel un pont reliant le bus de communication connecté au portail réel à un bus virtuel dit interne également émulé par ledit portail réel ;
- un portail virtuel pour chaque liaison sans fil avec d'autres portails du pont sans fil, deux portails virtuels correspondant à la même liaison sans fil entre deux portails réels formant un pont virtuel représentant la liaison sans fil.

10

7. Procédé selon l'une des revendications 4 ou 5, caractérisé en ce qu'il comporte en outre l'étape de suppression d'un bus interne et des portails virtuels qui y sont connectés, et de contraction en un pont des deux portails orphelins ainsi créés, dans le cas où le portail réel comportant ledit bus interne fait partie d'une unique liaison sans fil.

15

8. Procédé selon l'une des revendications 1 à 7, caractérisé en ce qu'il comporte en outre l'étape de détermination par chaque portail réel, de l'ensemble des liaisons sans fil entre les portails réels.

20

9. Procédé selon la revendication 8, caractérisé en ce ladite étape de détermination de l'ensemble des liaisons sans fil comporte les étapes de :

- identification, par chaque portail réel, des autres portails réels dont des données lui parviennent directement ;
- transmission à destination de tous les autres portails réels du réseau sans fil, de la liste des portails réels avec lesquels une liaison directe existe ;
- réception de ladite liste établie par chacun des autres portails.

25

10. Procédé selon l'une des revendications précédentes, caractérisé en ce qu'il comporte également l'étape d'émulation d'un registre de disponibilité de canaux isochrones pour chaque bus virtuel.

30

11. Procédé selon l'une des revendications précédentes, caractérisé en ce que l'étape de réservation de bande passante auprès dudit registre global comporte le lancement d'une requête de réservation de bande passante auprès d'un gestionnaire de ressources isochrones d'un bus virtuel

35

**This Page Blank (uspto)**

et de transmission de la requête par ledit gestionnaire de ressources isochrones du bus virtuel à un module logiciel gérant le registre global de disponibilité de bande passante.

- 5           12. Procédé selon l'une des revendications 1 à 11, caractérisé en ce que le pont comporte au moins trois portails.

**This Page Blank (uspto)**



DEMANDE INTERNATIONALE PUBLIÉE EN VERTU DU TRAITE DE COOPERATION EN MATIÈRE DE BREVETS (PCT)

|  |  |  |
|--|--|--|
| <p>(51) Classification internationale des brevets <sup>7</sup> :<br/><b>H04L</b></p>   | <p><b>A2</b></p>   | <p>(11) Numéro de publication internationale: <b>WO 00/31911</b></p>                                     |
|  |  | <p>(43) Date de publication internationale: 2 juin 2000 (02.06.00)</p>                                   |
| <p>(21) Numéro de la demande internationale: PCT/FR99/02863<br/>(22) Date de dépôt international: 22 novembre 1999 (22.11.99)<br/>(30) Données relatives à la priorité:<br/>98/14852 25 novembre 1998 (25.11.98) FR<br/>(71) Déposant (pour tous les Etats désignés sauf US): THOMSON MULTIMEDIA [FR/FR]; 46, quai Alphonse Le Gallo, F-92100 Boulogne-Billancourt (FR).<br/>(72) Inventeurs; et<br/>(75) Inventeurs/Déposants (US seulement): STRAUB, Gilles [FR/FR]; Thomson multimedia, 46, quai Alphonse Le Gallo, F-92648 Boulogne Cedex (FR); BÜRKLIN, Helmut [DE/FR]; Thomson multimedia, 46, quai Alphonse Le Gallo, F-92648 Boulogne Cedex (FR); LEGALLAIS, Yvon [FR/FR]; Thomson multimedia, 46, quai Alphonse Le Gallo, F-92648 Boulogne Cedex (FR).<br/>(74) Mandataire: KOHRS, Martin; Thomson multimedia, 46, quai Alphonse Le Gallo, F-92648 Boulogne Cedex (FR).</p> | <p>(81) Etats désignés: AE, AL, AM, AT, AU, AZ, BA, BB, BG, BR, BY, CA, CH, CN, CR, CU, CZ, DE, DK, DM, EE, ES, FI, GB, GD, GE, GH, GM, HR, HU, ID, IL, IN, IS, JP, KE, KG, KP, KR, KZ, LC, LK, LR, LS, LT, LU, LV, MA, MD, MG, MK, MN, MW, MX, NO, NZ, PL, PT, RO, RU, SD, SE, SG, SI, SK, SL, TJ, TM, TR, TT, TZ, UA, UG, US, UZ, VN, YU, ZA, ZW, brevet ARIPO (GH, GM, KE, LS, MW, SD, SL, SZ, TZ, UG, ZW), brevet eurasien (AM, AZ, BY, KG, KZ, MD, RU, TJ, TM), brevet européen (AT, BE, CH, CY, DE, DK, ES, FI, FR, GB, GR, IE, IT, LU, MC, NL, PT, SE), brevet OAPI (BF, BJ, CF, CG, CI, CM, GA, GN, GW, ML, MR, NE, SN, TD, TG).</p> |  |
|  |  | <p>Publiée<br/>Sans rapport de recherche internationale, sera republiée dès réception de ce rapport.</p> |

(54) Title: METHOD FOR MANAGING BANDWIDTH IN A COMMUNICATION NETWORK COMPRISING A CORDLESS CONNECTION

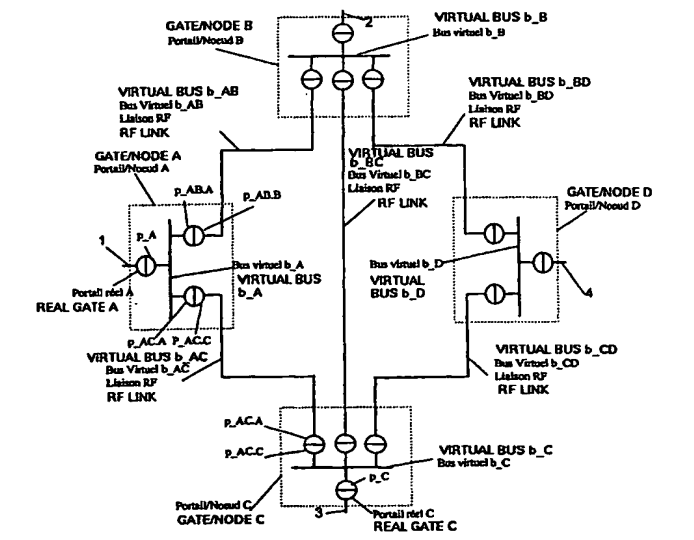
(54) Titre: PROCÉDE DE GESTION DE BANDE PASSANTE DANS UN RESEAU DE COMMUNICATION COMPORTANT UNE LIAISON SANS FIL

(57) Abstract

The invention concerns a method for managing resources in a communication network comprising at least two communication buses linked via a cordless transmission bridge, said bridge comprising for each bus a real gate connected to said bus, each gate being provided with cordless communication means. The method is characterised by steps which consist in: modelling said cordless bridge for each real gate in the form of virtual buses and virtual bridges, each virtual bridge comprising two virtual gates; emulating a global register of bandwidth availability for the whole cordless bridge; reserving bandwidth in said global register for each cordless connection taking part in the communication. The invention is particularly applicable in home automation.

(57) Abrégé

L'invention concerne un procédé de gestion de ressources dans un réseau de communication comportant au moins deux bus de communication reliés par l'intermédiaire d'un pont de transmission sans fil, ledit pont comportant pour chaque bus un portail réel connecté à ce bus, chaque portail étant muni de moyens de communication sans fil. Le procédé est caractérisé par les étapes: modélisation dudit pont sans fil par chaque portail réel sous forme de bus virtuels et de ponts virtuels, chaque pont virtuel comportant deux portails virtuels; émulation d'un registre global de disponibilité de bande passante pour l'ensemble du pont sans fil; réservation de bande passante auprès dudit registre global pour chaque liaison sans fil participant à une communication. L'invention s'applique notamment dans le domaine de la domotique.



L'invention concerne un procédé de gestion de ressources dans un réseau de communication comportant au moins deux bus de communication reliés par l'intermédiaire d'un pont de transmission sans fil, ledit pont comportant pour chaque bus un portail réel connecté à ce bus, chaque portail étant muni de moyens de communication sans fil. Le procédé est caractérisé par les étapes: modélisation dudit pont sans fil par chaque portail réel sous forme de bus virtuels et de ponts virtuels, chaque pont virtuel comportant deux portails virtuels; émulation d'un registre global de disponibilité de bande passante pour l'ensemble du pont sans fil; réservation de bande passante auprès dudit registre global pour chaque liaison sans fil participant à une communication. L'invention s'applique notamment dans le domaine de la domotique.

**UNIQUEMENT A TITRE D'INFORMATION**

Codes utilisés pour identifier les Etats parties au PCT, sur les pages de couverture des brochures publiant des demandes internationales en vertu du PCT.

|    |                           |    |   |    |  |    |                       |
|----|---------------------------|----|---|----|--|----|-----------------------|
| AL | Albanie                   | ES | Espagne                                       | LS | Lesotho                                  | SI | Slovénie              |
| AM | Arménie                   | FI | Finlande                                      | LT | Lituanie                                 | SK | Slovaquie             |
| AT | Autriche                  | FR | France  | LU | Luxembourg                               | SN | Sénégal               |
| AU | Australie                 | GA | Gabon   | LV | Lettonie                                 | SZ | Swaziland             |
| AZ | Azerbaïdjan               | GB | Royaume-Uni                                   | MC | Monaco                                   | TD | Tchad                 |
| BA | Bosnie-Herzégovine        | GE | Géorgie                                       | MD | République de Moldova                    | TG | Togo                  |
| BB | Barbade                   | GH | Ghana   | MG | Madagascar                               | TJ | Tadjikistan           |
| BE | Belgique                  | GN | Guinée  | MK | Ex-République yougoslave<br>de Macédoine | TM | Turkménistan          |
| BF | Burkina Faso              | GR | Grèce   | ML | Mali                                     | TR | Turquie               |
| BG | Bulgarie                  | HU | Hongrie                                       | MN | Mongolie                                 | TT | Trinité-et-Tobago     |
| BJ | Bénin                     | IE | Irlande                                       | MR | Mauritanie                               | UA | Ukraine               |
| BR | Brésil                    | IL | Israël  | MW | Malawi                                   | UG | Ouganda               |
| BY | Bélarus                   | IS | Islande                                       | MX | Mexique                                  | US | Etats-Unis d'Amérique |
| CA | Canada                    | IT | Italie  | NE | Niger                                    | UZ | Ouzbékistan           |
| CF | République centrafricaine | JP | Japon   | NL | Pays-Bas                                 | VN | Viet Nam              |
| CG | Congo                     | KE | Kenya   | NO | Norvège                                  | YU | Yougoslavie           |
| CH | Suisse                    | KG | Kirghizistan                                  | NZ | Nouvelle-Zélande                         | ZW | Zimbabwe              |
| CI | Côte d'Ivoire             | KP | République populaire<br>démocratique de Corée | PL | Pologne                                  |    |                       |
| CM | Cameroun                  | KR | République de Corée                           | PT | Portugal                                 |    |                       |
| CN | Chine                     | KZ | Kazakstan                                     | RO | Roumanie                                 |    |                       |
| CU | Cuba                      | LC | Sainte-Lucie                                  | RU | Fédération de Russie                     |    |                       |
| CZ | République tchèque        | LI | Liechtenstein                                 | SD | Soudan                                   |    |                       |
| DE | Allemagne                 | LK | Sri Lanka                                     | SE | Suède                                    |    |                       |
| DK | Danemark                  | LR | Libéria                                       | SG | Singapour                                |    |                       |
| EE | Estonie                   |    |   |    |  |    |                       |

**Procédé de gestion de bande passante  
dans un réseau de communication comportant une liaison sans fil**

5 Le standard IEEE 1394 1995 concerne la configuration et la  
gestion d'un ou plusieurs bus de communication série. Des travaux sont en  
cours pour élaborer une extension de ce standard couvrant des réseaux  
formés de plusieurs bus interconnectés par l'intermédiaire d'ensembles  
appelés des 'ponts'. Cette extension, appelée P1394.1, existe actuellement  
10 sous la forme d'un projet préliminaire de version 0.03, en date d'octobre  
1997. Selon ce projet, un pont est formé d'un couple de dispositifs appelés  
des portails ('portals' en langue anglaise), chacun des deux portails étant  
connecté à un bus parmi deux bus à relier. Les deux portails sont reliés l'un  
à l'autre par une matrice de commutation ('switching fabric' en langue  
15 anglaise). La spécification de la matrice de commutation du pont est hors du  
cadre de P1394.1 et est laissée aux soins de l'implémenteur. Il n'est pas  
actuellement prévu de ponts possédant plus de deux portails, étant donné  
qu'il est possible de modéliser toute connexion de plus de deux bus par un  
nombre limité de ponts connectant uniquement des paires de bus.

20 L'interconnexion de plusieurs bus mentionnée au paragraphe  
précédent peut également être effectuée par l'intermédiaire de liaisons sans  
fil, par exemple par transmission en radiofréquences (RF). La figure 1 est un  
exemple de pont sans fil entre quatre bus 1394. Chacun des bus 1 à 4 est  
relié à un portail du pont, les portails étant identifiés par les lettres A à D. Le  
25 pont de la figure 1 est un exemple de connectivité incomplète en ce sens  
que le pont comporte au moins un portail ne pouvant communiquer  
directement avec un autre portail. Dans le cadre de l'exemple, il n'y a pas  
de liaison directe entre les portails A et D.

30 Le standard IEEE 1394 1995 décrit un processus de transmission  
isochrone, dans lequel un appareil ('noeud') souhaitant transmettre des  
données effectue au préalable une réservation d'un certain nombre de  
canaux isochrones. Un des noeuds du bus possède la fonction de  
gestionnaire des ressources isochrones et implémente dans ce but deux  
35 registres, le premier indiquant la bande passante disponible, tandis que le  
second indique les canaux isochrones disponibles. Les dénominations de ces  
deux registres dans le document IEEE 1394 1995 sont respectivement

'BANDWIDTH\_AVAILABLE' et 'CHANNEL\_AVAILABLE'. Un noeud effectue une réservation de ressources isochrones auprès du gestionnaire de ressources isochrones en lisant les registres et en mettant à jour leur contenu selon ses besoins.

5

Le procédé de réservation décrit dans le document IEEE 1394 1995 n'est cependant pas adapté au réseau de bus connectés par un pont sans fil tel que celui de la figure 1. En effet, si le portail A doit effectuer une transmission de bande passante de largeur X vers le portail D, une bande passante de largeur 2X sera nécessaire au total: le portail A doit réserver une première bande passante de largeur X pour la transmission de A à, par exemple, C, puis une seconde bande passante de largeur X pour la transmission de C à D. En d'autres termes, la bande passante dépend de la connectivité existant dans le réseau: ce type de configuration n'est pas pris en compte par le standard IEEE 1394 1995 actuel.

10  
15

L'invention a pour objet un procédé de gestion de ressources dans un réseau de communication comportant au moins deux bus de communication reliés par l'intermédiaire d'un pont de transmission sans fil, ledit pont comportant pour chaque bus un portail réel connecté à ce bus, chaque portail étant muni de moyens de communication sans fil, caractérisé en ce que ledit procédé comporte les étapes de :

20

- modélisation dudit pont sans fil par chaque portail réel sous forme de bus virtuels et de ponts virtuels, chaque pont virtuel comportant deux portails virtuels ;

25

- émulation d'un registre global de disponibilité de bande passante pour l'ensemble du pont sans fil ;

- réservation de bande passante auprès dudit registre global pour chaque liaison sans fil participant à une communication.

30

La centralisation de la fonction de registre global de disponibilité de bande passante en un seul registre pour tous les bus modélisés du pont sans fil permet d'effectuer des réservations de bande passante globalement pour ce pont sans fil. En transmettant des demandes de réservation de bande passante reçues sur des bus modélisés vers cet unique registre, la centralisation de la fonction est rendue transparente à un noeud effectuant la réservation.

35



D'autres caractéristiques et avantages de l'invention apparaîtront à travers la description de deux exemples de réalisation particuliers non limitatifs décrits à l'aide des figures jointes, parmi lesquelles :

5           - la figure 1 est un schéma représentant un pont sans fil entre plusieurs bus ;

          - la figure 2 est un schéma représentant une modélisation du pont de la figure 1 par utilisation de bus virtuels selon un premier exemple de réalisation ;

10          - la figure 3 est un schéma représentant les éléments réels et virtuels du noeud A de la figure 2 ;

          - la figure 4 est un diagramme temporel explicitant les échanges de messages entre éléments du réseau dans le cadre d'une réservation de ressources ;

15          - la figure 5 représente une modélisation du pont de la figure 1 par utilisation de ponts bi-portails virtuels selon un deuxième exemple de réalisation ;

          - la figure 6 est un schéma représentant les éléments réels et virtuels du noeud A de la figure 5 ;

20          - la figure 7 est une simplification de la modélisation selon une première variante du premier exemple de réalisation ;

          - la figure 8 est une simplification supplémentaire de la modélisation de la figure 7 selon une seconde variante du premier exemple de réalisation ;

25          - la figure 9a est un schéma représentant une modélisation d'un exemple particulier de lien entre deux noeuds, selon le premier exemple de réalisation ;

          - la figure 9b est un schéma représentant une simplification de la modélisation de la figure 9a selon une seconde variante du premier exemple de réalisation ;

30          - la figure 10a est un schéma représentant une modélisation d'un exemple particulier de lien entre deux noeuds selon le second exemple de réalisation ;

35          - la figure 10b est un schéma représentant une simplification de la modélisation selon une variante du second exemple de réalisation.

La demande de brevet française 98 04982 du 21 avril 1998 déposée au nom de THOMSON multimedia et portant le titre 'Procédé de synchronisation dans un réseau de communication sans fil' concerne également un pont sans fil reliant plusieurs bus de communication, notamment de type IEEE 1394 1995.

Selon un premier exemple de réalisation, une décomposition d'un pont multi-portails en un nombre donné de ponts bi-portails est réalisée en représentant une connexion entre deux portails par un bus virtuel.

Une telle modélisation dans le cas de l'exemple de la figure 1 est donnée par la figure 2. Les pointillés définissent les bornes des différents noeuds faisant office de portail. On distinguera ici la notion de noeud, qui englobe le dispositif lui-même, ainsi que la notion de portail, en référence à la fonction première du noeud. Cette distinction est faite pour clarifier la description qui va suivre. En effet, un noeud peut simuler, par exemple de façon logicielle, des éléments virtuels tels que des bus et des portails virtuels. Le portail réel (noté A, B, C ou D ci-dessous) du noeud est alors mis fonctionnellement au même niveau que les portails virtuels, bien qu'en réalité ce soit ce portail réel lui-même qui simule les éléments virtuels.

Chaque noeud comporte un pont reliant son bus IEEE 1394 à un bus virtuel interne. Ce pont se compose du portail réel connecté au bus IEEE 1394 et d'un portail virtuel connecté au bus virtuel interne.

Chaque noeud comporte en outre un pont virtuel pour chaque liaison sans fil possible avec un autre noeud. Une liaison sans fil est représentée par un bus virtuel. Un pont virtuel comporte deux portails virtuels, connectés respectivement au bus virtuel interne du noeud et au bus virtuel représentant la liaison sans fil.

Les bus virtuels internes diffèrent des bus virtuels représentant les liaisons sans fil par un aspect important pour la réservation des ressources: tandis qu'un bus virtuel représentant une liaison sans fil possède une bande passante limitée, ce n'est pas le cas du bus interne.

De manière générale, la notation suivante est adoptée :

|      |                                       |
|------|---------------------------------------|
| b_X  | Bus virtuel du portail X              |
| b_XY | Bus virtuel entre les portails X et Y |

p\_X Portail virtuel constituant avec le portail réel (par exemple 'C') le pont entre le bus réel IEEE 1394 auquel est relié le portail réel X et le bus virtuel b\_X

5 p\_XY.X Portail virtuel connecté au bus b\_X et faisant partie du pont virtuel reliant les bus b\_X et b\_XY

p\_XY.Y Portail virtuel connecté au bus b\_Y et faisant partie du pont virtuel reliant les bus b\_X et b\_XY

10 En prenant pour exemple le portail A et en référence à la figure 2, le portail réel connectant le bus IEEE 1394 est noté A, tandis que le portail virtuel appartenant au même pont que le portail réel est noté p\_A.

Le noeud A comporte en outre le bus virtuel b\_A, tandis que la liaison sans fil entre le noeud A et le noeud B est représentée par le bus virtuel b\_AB et que la liaison sans fil entre le noeud A et le noeud C est représentée par le bus virtuel b\_AC.

15 Le pont reliant le bus virtuel interne b\_A au bus b\_AB se compose des portails p\_AB.A et p\_AB.B, tandis que le pont reliant le bus virtuel interne b\_A au bus b\_AC se compose des portails p\_AC.A et p\_AB.A.

20 La notation des éléments des autres noeuds est similaire.

La figure 3 représente les éléments du noeud A, en indiquant la séparation entre éléments réels et éléments virtuels.

25 Chaque noeud A, B, C ou D comporte un circuit de connexion physique (couche 1394 PHY), un circuit d'interfaçage (dit circuit 'LINK'), ainsi qu'un logiciel de gestion de son portail réel, gérant les registres prévus par le travail de normalisation P1394.1. Chaque noeud comporte en outre un microprocesseur et de la mémoire pour émuler chacun de ses portails et bus virtuels.

35 Lors de l'initialisation du réseau, chaque noeud A, B, C, D détermine grâce à un procédé de calibrage le graphe du réseau, ce qui lui permet ensuite de construire son modèle topologique virtuel de la façon décrite.

Les informations utilisées par un noeud pour établir le graphe sont obtenues en utilisant le processus de communication d'informations de

contrôle décrit dans la demande de brevet précédemment citée, à savoir la mise en oeuvre d'une trame isochrone de type TDMA. Chaque trame de longueur fixe du système TDMA dans le pont sans fil comporte un nombre fixe de fenêtres de contrôle, chaque fenêtre étant dédiée de façon fixe à l'un des noeuds sans fil du pont. Un noeud connaît par construction la position de sa fenêtre de contrôle et celle des fenêtres de contrôle des autres noeuds. Un noeud transmet ses informations de contrôle dans la fenêtre de contrôle qui lui est allouée, et répète les informations des fenêtres de contrôle des autres noeuds. Une information de contrôle répétée est identifiée comme étant répétée par l'utilisation d'un compteur de répétition et qui est incrémenté chaque fois que l'information de contrôle est répétée par un noeud. Lorsqu'un noeud A reçoit une information de contrôle d'un noeud X dans la fenêtre de contrôle de ce noeud X, alors le noeud A en déduit que cette information lui parvient directement du noeud X. Par contre, si le noeud A reçoit les informations de contrôle du noeud X dans une fenêtre de contrôle autre que celle du noeud X, alors cette information a été répétée et ne lui est pas parvenue directement. Ainsi, d'une part, les informations de contrôle sont propagées à tous les noeuds sans fil du pont sans fil, même si la connectivité y est incomplète, d'autre part chaque noeud peut déterminer si les informations qu'il reçoit proviennent directement d'un autre noeud, ou si elles ont été répétées.

Dans le cadre du présent exemple de réalisation, à chaque fois qu'un nouveau noeud est branché, il émet une requête de calibrage en l'insérant dans sa fenêtre de contrôle. Cette requête comporte un drapeau pour chacun des noeuds du réseau sans fil. Un drapeau d'ordre j est mis à la valeur 1 si le noeud émettant la requête peut recevoir le noeud j, c'est à dire s'il existe une liaison sans fil directe. Cette requête est ensuite propagée dans tout le réseau en utilisant le mécanisme précité des fenêtres de contrôle. Un noeud détectant une requête de calibrage dans une fenêtre de contrôle nouvellement occupée génère également une requête de calibrage.

En fin de calibrage, c'est à dire une fois que chaque noeud a émis sa requête de calibrage et qu'elle a été transmise à tous les autres noeuds, chaque noeud sait quelles sont les liaisons sans fil directes dans le pont sans fil. Chaque noeud peut alors procéder à la modélisation et l'émulation des bus et portails qui le concernent, selon les règles qui ont été exposées plus haut.

Comme dans le cas du standard IEEE 1394 1995, un gestionnaire des ressources isochrones est désigné pour chaque bus, bien que dans le cas présent il s'agisse de bus virtuels et non réels.

Deux cas se présentent: l'élection d'un gestionnaire de ressources isochrones pour un bus virtuel interne, et l'élection pour un bus virtuel représentant une liaison sans fil.

Dans chaque cas, la désignation d'un appareil gestionnaire des ressources isochrones peut être effectuée de diverses manières. Les deux méthodes décrites ci-dessous sont données à titre d'exemple.

Selon le présent exemple de réalisation, l'élément élu gestionnaire de ressources isochrones sur un bus virtuel interne est toujours le portail virtuel du pont qui comporte également le portail réel du noeud. Si le noeud est le noeud X, le portail virtuel élu pour le bus virtuel interne b\_X est le portail p\_X.

Selon le présent exemple de réalisation, l'élection du gestionnaire de ressources isochrones sur un bus virtuel représentant une liaison sans fil est réalisée de la manière suivante :

(1) Chaque noeud A, B, C, D lit dans une mémoire des autres noeuds un identificateur du noeud appelé 'EUI64' dans le document 1394 1995. Cet identificateur, unique à chaque appareil, possède une longueur de 64 bits.

(2) L'ordre des bits des identificateurs est inversé, c'est à dire que le bit de poids le plus faible prend la place du bit de poids le plus fort, le second bit de poids le plus faible prend la place du second bit de poids le plus fort et ainsi de suite.

(3) Chaque noeud détermine pour chaque liaison sans fil le plus grand parmi l'identificateur inversé du noeud de l'autre côté de la liaison et son propre identificateur. Si l'identificateur le plus grand est celui du noeud de l'autre côté de la liaison, alors le gestionnaire de ressources isochrones de cette liaison est le portail virtuel p\_XY.Y, où X désigne le noeud effectuant la détermination pour son compte et Y désigne le noeud de l'autre côté de la liaison. Dans le cas contraire, c'est le portail p\_XY.X qui est désigné.

Ainsi, les gestionnaires des ressources isochrones sont désignés sans ambiguïté. Les gestionnaires de ressources isochrones sont également désignés en tant que racines de leurs bus, au sens du standard IEEE 1394 1995. Chaque gestionnaire de ressources isochrones gère un registre de disponibilité des canaux isochrones, qui est semblable au registre 'CHANNEL\_AVAILABLE' décrit par le document IEEE 1394 1995 à la section 8.3.2.3.8, et qui est accessible de manière similaire. L'accès à ce registre, ainsi qu'au registre de disponibilité de bande passante sans fil sera vu plus en détail en relation avec la figure 4.

10

Selon le présent exemple, les noeuds A, B, C et D élisent en outre un gestionnaire de la bande passante du pont sans fil. Contrairement aux gestionnaires de ressources isochrones, dont le nombre dépend du nombre de liaisons sans fil possibles, la fonction de gestionnaire de la bande passante isochrone est une fonction centralisée au niveau d'un seul dispositif pour l'ensemble du pont sans fil.

15

Il est à rappeler que selon le standard IEEE 1394 1995, le gestionnaire des ressources isochrones de chaque bus gère à la fois le registre de disponibilité de bande passante et le registre de disponibilité des canaux.

20

Diverses méthodes peuvent être utilisées pour déterminer sans ambiguïté le gestionnaire de bande passante parmi les différents éléments du réseau. Selon le présent exemple de réalisation, cette tâche est confiée au portail réel possédant le plus grand identificateur de noeud inversé. Comme précédemment, chaque noeud détermine le gestionnaire de bande passante par analyse des identificateurs de tous les noeuds du réseau.

25

Le gestionnaire de bande passante gère un registre de disponibilité de bande passante sans fil similaire au registre de disponibilité de bande passante ('BANDWIDTH\_AVAILABLE') défini à la section 8.3.2.3.7 du standard IEEE 1394, et dont l'accès par les différents éléments du réseau est également similaire. Le registre est initialisé à une valeur donnée correspondant à la bande passante disponible sur le réseau sans fil, par exemple 32 Mbit/s.

30

35

Un dispositif connecté à un des bus réels 1 à 4 doit, pour communiquer avec un dispositif d'un autre bus, configurer les ponts et bus virtuels et réels qui le relie au dispositif de l'autre bus.

La figure 4 illustre les échanges mis en oeuvre pour effectuer une  
5 réservation de ressources isochrones sur le pont sans fil dans le but d'établir un canal entre un décodeur 5 (voir fig. 1) connecté au bus IEEE 1394 1 et un décodeur 6 connecté au bus IEEE 1394 3.

Le procédé de configuration relatif aux bus IEEE 1394 1 et 3 est  
celui défini par le standard IEEE 1394 1995 et ne sera par conséquent pas  
10 abordé en détail.

Pour les besoins de l'exemple, le portail réel B a été élu gestionnaire de bande passante du pont sans fil. Les portails virtuels p\_A, p\_AC.A et p\_C sont respectivement les gestionnaires de ressources isochrones des bus b\_A, b\_AC et b\_C.

15 Le décodeur 5 doit effectuer des réservations de canaux isochrones et de bande passante auprès des gestionnaires correspondants des bus b\_A, b\_AC et b\_C. Il doit également effectuer une réservation de bande passante auprès du portail B.

20 Selon une première étape (E1), le décodeur 5 effectue une requête de lecture du contenu du registre de disponibilité de ressources isochrones du bus b\_A. L'adresse du gestionnaire de ressources isochrones de ce bus est composée de l'adresse du bus et d'une valeur de décalage ('offset') pour le gestionnaire, et dont la valeur est déterminée par le  
25 standard IEEE 1394 1995. La requête est en fait récupérée par le portail réel A, qui détecte l'adresse du bus b\_A dans la requête et détermine si le portail virtuel p\_A est émulé par lui-même ou par un autre noeud. Etant donné que le portail p\_A est bien émulé par le portail réel A, ce dernier émule aussi le gestionnaire de ressources isochrones du bus b\_A, ainsi que le registre de  
30 disponibilité de ressources isochrones de ce bus. Le contenu de ce registre est renvoyé (E2) au décodeur. Le registre identifie ceux parmi les 64 canaux qui sont utilisés et ceux qui sont libres, par la valeur d'un bit par canal. Pour effectuer la réservation de canaux, le décodeur 5 transmet une requête de verrouillage (E3) qui comporte la valeur précédemment lue dans le registre,  
35 ainsi qu'une nouvelle valeur à y inscrire. Cette nouvelle valeur indique, en plus des canaux déjà identifiés comme réservés dans la valeur lue, ces deux canaux que le décodeur cherche à réserver. Le portail p\_A compare

l'ancienne valeur à celle contenue dans son registre de disponibilité de ressources isochrones. Si cette valeur est identique, le portail inscrit dans le registre la nouvelle valeur, et indique au décodeur que la réservation est effective. On suppose que cela est le cas dans l'exemple de la figure 3  
5 (étape E4). Si les deux valeurs ne sont pas identiques, alors le contenu du registre a été modifié par un autre appareil entre le moment de sa lecture et de la requête de verrouillage par le décodeur 5. Le contenu du registre n'est alors pas modifié. Le décodeur 5 en est informé, et peut éventuellement effectuer une nouvelle tentative de réservation. Ce registre est initialisé à la  
10 même valeur que celle du bus réel auquel est connecté le portail réel A (par exemple).

Un registre de disponibilité de bande passante est implémenté également au niveau d'un bus virtuel sans limitation de bande passante. En cas de réservation de bande passante au niveau d'un tel bus, le contenu du  
15 registre est décrémenté en conséquence. L'avantage d'émuler ce comportement est qu'il répond à la gestion de bus préconisée par le document IEEE 1394 1995. Dans le cadre du présent exemple, le décodeur 5 tentera également d'effectuer des requêtes de lecture et de verrouillage d'un registre de disponibilité de bande passante auprès d'un gestionnaire de  
20 bande passante du bus A.

Le décodeur 5 réserve ensuite de la même façon les canaux isochrones sur le bus b\_AB, en adressant une requête de lecture au gestionnaire de ressources isochrones de ce bus, puis une requête de  
25 verrouillage auprès du portail p\_AC.A (étapes E5 et E6).

Pour être en accord avec le standard IEEE 1394 1995, un dispositif cherchant à réserver de la bande passante sur un bus virtuel s'adresse au gestionnaire des ressources isochrones de ce bus virtuel,  
30 comme s'il s'agissait d'un bus réel. Ceci est le cas même si le gestionnaire des ressources isochrones n'est pas le gestionnaire de la bande passante du pont sans fil. Néanmoins, le gestionnaire de ressources isochrones connaît l'adresse du gestionnaire de bande passante du pont sans fil, et transmet la requête du dispositif initial par le moyen de cette adresse au portail réel qui  
35 émule cette fonction. Le gestionnaire des ressources isochrones récupère également la réponse à la requête de la part du gestionnaire de bande passante sans fil, et la transmet au dispositif. Pour ce dernier, tout se passe



donc comme s'il effectuait une réservation sur un bus réel. La centralisation de la fonctionnalité gestionnaire de bande passante sur le pont sans fil est donc transparente au niveau de la réservation.

5 Dans le cas de l'exemple de la figure 3, pour réserver la bande passante requise sur le bus virtuel b\_AC (qui est limité en bande passante), le décodeur 5 émet une requête de lecture (E7) du registre de bande passante du réseau sans fil auprès du portail p\_AC.A, qui transmet (E8) la requête au portail C. Ce dernier transmet sa réponse (E9) de nouveau au portail P\_AC.A, qui retransmet au décodeur 5 (E10).

10 Le processus est similaire pour la requête de verrouillage/écriture (étapes E11 à E14).

En dernier lieu, la réservation de canal isochrone sur le bus virtuel interne b\_C est effectuée auprès du portail p\_C (étapes E15 à E18), de la même manière que pour la réservation sur le bus virtuel interne b\_A.

15

Dans le cas où une connexion isochrone comporte plusieurs liaisons sans fil, le registre de disponibilité de bande passante du pont sans fil est décrémenté autant de fois que nécessaire, au fur et à mesure des réservations.

20

On a ainsi effectué la réservation des ressources nécessaires à la transmission.

25 Le procédé de réservation qui vient d'être décrit permet, comme déjà mentionné, d'intégrer un pont sans fil sans un réseau de bus, tout en préservant les mécanismes de gestion des bus définis par le standard IEEE 1394 1995 et des standards auxquels il fait référence, notamment en ce qui concerne l'accès et la gestion des adresses et registres. Ce qui vient d'être décrit concerne donc la vision du pont sans fil qu'a un appareil  
30 cherchant à communiquer avec un appareil de l'autre côté de ce pont. Le fonctionnement réel du pont sans fil est différent. Bien que ce dernier simule plusieurs bus, et notamment leurs gestionnaires de ressources isochrones et de bande passante, les réservations de ressource ne sont réellement effectuées que dans la mesure où elles correspondent au fonctionnement  
35 véritable du pont sans fil, qui a un rôle d'adaptation de ces réservations à son propre fonctionnement. Dans le cadre du présent exemple de réalisation, il y a effectivement réservation de la bande passante de la

manière indiquée. La réservation des canaux isochrones effectuée sur ses bus virtuels n'a cependant pas de signification réelle pour le pont sans fil, puisqu'un mécanisme de type TDMA, décrit dans la demande de brevet française déjà citée, est utilisé par le pont sans fil pour transmettre des données, mécanisme différent de celui mis en oeuvre sur un bus IEEE 1394. A un canal isochrone transmis sur un bus réel, et devant être transmis sur le réseau sans fil, correspond un canal isochrone sans fil. Ce canal isochrone sans fil correspond à un certain nombre constant de paquets isochrones transmis à chaque trame sans fil. Les paquets isochrones peuvent être transmis sur le support sans fil sous le même format que sur un bus IEEE 1394. Le canal isochrone sans fil est alors défini par l'association de l'identité du noeud sans fil émetteur et du numéro de canal utilisé sur le bus réel IEEE 1394 sur lequel est connecté l'émetteur sans fil.

Une première variante de réalisation du premier exemple est illustrée par le schéma de la figure 7. Cette variante permet de simplifier les modèles virtuels, et est de préférence mise en oeuvre dans le cadre de ponts sans fil stables, c'est à dire dont les liaisons sans fil ne sont pas modifiées ou modifiées à des intervalles de temps relativement grands. En effet, en cas de connectivité incomplète, ces modèles simplifiés nécessitent que la connectivité du pont sans fil soit complètement recalculée à chaque modification topologique du réseau de bus.

Selon ladite simplification, on détermine des sous-ensembles de liaisons. Chaque noeud sans fil faisant partie d'une liaison d'un sous-ensemble est en liaison directe avec tout autre noeud de ce sous-ensemble. Les noeuds d'un sous-ensemble sont ensuite reliés par un bus virtuel, ce qui revient à modéliser l'ensemble des liaisons entre les noeuds d'un sous-ensemble par un unique bus virtuel.

Le pont sans fil dans la configuration de la figure 1 donne lieu à un nouveau modèle illustré par la figure 7, avec les deux groupes de liaisons AB,AC, BD et BC,BD,CD.

Une seconde variante du premier exemple de réalisation consiste à éliminer dans le modèle du premier exemple de réalisation le bus virtuel interne d'un noeud X qui possède une liaison unique, vers un autre noeud Y. La figure 9a illustre un tel cas. On élimine également les portails virtuels connectés à ce bus virtuel. Cette liaison sans fil est remplacée par un pont

formé du portail réel X du noeud X et d'un portail virtuel  $p_{YX.Y}$  géré par le noeud Y, ces deux portails étant les portails restants des deux ponts du bus virtuel éliminé. On a donc réalisé une contraction du modèle. Le pont semi-virtuel restant ainsi constitué est illustré à la figure 9b.

5 L'application de cette variante sur l'exemple de la figure 7 résulte dans le modèle simplifié de la figure 8.

10 Selon un second exemple de réalisation, une décomposition d'un pont multi-portails en un nombre donné de ponts bi-portails est réalisée en représentant une liaison sans fil par un pont virtuel. Il est rappelé que selon le premier exemple de réalisation, une liaison sans fil était représentée par un bus.

15 Les figures 5 et 6 permettent de décrire cette modélisation. Les traits en pointillés de la figure 5 indiquent les limites de chacun des noeuds A, B, C, D. Les éléments réels et virtuels situés dans les limites d'un noeud sont gérés par ce dernier. La figure 6 représente le noeud A et comporte les références complètes pour chacun de ses éléments. Ces références n'ont pas toutes été portées sur la figure 5 pour des raisons de clarté.

20

La modélisation est réalisée de la manière suivante :

Chaque noeud comporte un pont reliant son bus IEEE 1394 à un bus virtuel interne ( $b_A, b_B, \dots$ ). Ce pont se compose du portail réel connecté au bus IEEE 1394 et d'un portail virtuel connecté au bus virtuel interne. Comme précédemment, ces portails sont notés respectivement X et  $P_X$ , où X représente un des noeuds A à D.

30 Chaque noeud X comporte en outre un portail virtuel pour chaque liaison sans fil possible avec les autres noeuds du réseau sans fil (il est rappelé que selon le premier exemple de réalisation, chaque noeud comportait un pont virtuel pour chaque liaison sans fil et non simplement un portail). Ces portails sont notés  $P_{XY.X}$ , où Y prend dans le cas présent les valeurs B, respectivement C, ce qui correspond aux noeuds en communication sans fil directe avec le noeud A. Deux portails virtuels correspondant à la même liaison sans fil entre deux noeuds forment un pont virtuel (noté  $L_{XY}$ , composé des portails  $p_{XY.X}$  et  $p_{XY.Y}$ ), ce pont virtuel  
35 représentant la liaison sans fil.

On notera que dans le cas de ce second exemple, les deux portails virtuels d'un pont virtuel sont gérés par des noeuds distincts, contrairement à ce qui était le cas dans le premier exemple de réalisation. On notera également que le nombre de bus virtuels et de ponts virtuels est  
5 réduit par rapport au premier exemple de réalisation.

Lorsqu'un contrôleur (par exemple le décodeur 5) souhaite établir une connexion isochrone au travers d'un réseau de bus, il peut soit configurer tous les bus et les ponts du chemin (ainsi que décrit dans  
10 l'exemple précédent), ou bien envoyer une commande au premier pont du chemin, laissant celui-ci ensuite configurer son bus local, et envoyer une commande au pont suivant du chemin.

Dans la première alternative, le contrôleur initial a toute latitude pour sélectionner un chemin (parmi d'autres chemins possibles). Dans la  
15 seconde approche par contre, le contrôleur doit sous-traiter le choix du chemin aux différents ponts du chemin, chaque pont étant chargé de trouver le pont suivant du chemin.

La seconde approche (approche commande) est plus indiquée dans le cadre du modèle à base de ponts virtuels. En effet, il n'y a pas dans  
20 ce cas de correspondance directe entre un bus virtuel et une liaison sans fil, mais une correspondance directe entre un pont virtuel et une liaison sans fil.

La méthode de réservation de bande passante décrite précédemment ne s'applique donc pas, et la méthode de réservation  
25 suivante est utilisée :

Lorsqu'un contrôleur souhaite établir une connexion isochrone entre deux noeuds du réseau de bus, il sélectionne parmi tous les ponts connectés par un bus IEEE 1394 à l'un des noeuds, par exemple le noeud source, le pont qui est le plus indiqué pour supporter la connexion isochrone  
30 (par exemple le plus proche du destinataire ou le moins chargé, ...). Le contrôleur génère ensuite une commande de demande d'établissement de connexion isochrone vers ce pont, et précise en tant que paramètres l'adresse du noeud destinataire (paramètres 'bus\_ID' et 'node\_ID' au sens du document IEEE 1394 1995), la bande passante requise, et le numéro de  
35 canal isochrone utilisé sur le bus local (le bus reliant le noeud source et le premier pont). Ce premier pont fait les réservations nécessaires sur son bus virtuel local (numéro de canal, et bande passante). Il cherche ensuite le pont

suivant le plus indiqué pour le destinataire demandé, et lui envoie la même commande, et ainsi de suite jusqu'au dernier pont. Si pour une quelconque raison, un pont ne peut donner suite à une commande d'établissement de connexion isochrone (manque de ressources sur le bus local, ...), il répond  
5 négativement à la commande. Si les ressources sont disponibles le long du chemin, la commande parviendra au dernier pont, qui répondra favorablement. Les réponses favorables sont ainsi relayées de proche en proche jusqu'au contrôleur initiateur, qui interprète cette réponse comme une indication que la connexion est établie.

10

Le principe spécifique à la communication sans fil est que chaque fois qu'un pont virtuel correspondant à une liaison sans fil est traversé, la bande passante doit être réservée auprès de l'unique gestionnaire des ressources isochrones du réseau sans fil.

15

Si l'on reprend l'exemple précédent (figure 1) du décodeur 5 désirant établir une connexion isochrone entre lui même et le décodeur 6, les étapes suivantes sont mises en oeuvre :

- 1 - Le décodeur 5 réserve un numéro de canal (Y) et la  
20 bande passante (X) sur son bus IEEE 1394 local (le bus 1).
- 2 - Le décodeur 5 envoie une commande d'établissement de connexion au portail A, avec les paramètres suivants: (destination : Décodeur 6, bande passante X, numéro de canal : Y).
- 3 - Le portail A cherche le meilleur chemin pour parvenir au  
25 Décodeur 6, il choisit par exemple de passer par le pont L\_AC.
- 4 - Le portail A réserve le canal Y (ou à défaut, un autre canal), effectue la translation d'en tête correspondante sur ce canal et réserve la bande passante X sur le bus virtuel b\_A. Le portail A envoie ensuite la commande d'établissement de connexion au pont virtuel  
30 L\_AC. La modification d'en-tête peut être rendue nécessaire par le fait que lorsqu'un pont désire passer un canal isochrone d'un bus vers un autre, il peut arriver que le numéro de canal utilisé sur le premier bus soit déjà réservé sur le second bus. Dans ce cas, le pont doit utiliser un autre numéro de canal sur le second bus, et faire le changement de numéro de  
35 canal au niveau de chaque paquet isochrone de ce canal lorsqu'il passe du premier bus vers le second bus.

5 • 5 - Le pont virtuel L\_AC effectue la réservation de bande passante auprès du gestionnaire des ressources isochrones du réseau sans fil (ici le portail B) selon le principe précédemment exposé (lecture du contenu du registre, puis verrouillage). Si la réservation a pu se faire, le processus continue. Sinon, le portail virtuel L\_AC.A répond négativement au portail A, qui répond négativement au décodeur 5.

10 • 6 - Si la réservation de bande passante a pu être effectuée, le portail L\_AC.A effectue les réservations sur le bus b\_C de la même manière qu'au point 4, puis envoie la commande au dernier pont (comportant le portail réel C et le portail virtuel p\_C).

15 • 7 - Le dernier pont effectue les réservations de canal et de bande passante sur le bus réel (le bus 3) auquel est connecté le noeud destinataire. Si les réservations ont pu se faire (les ressources ayant été disponibles), il répond favorablement au portail L\_AC.A, qui répond favorablement au portail A, qui répond favorablement au décodeur 5. Sinon la réponse est négative.

20 Dans le cas d'une connexion isochrone nécessitant des transmissions à travers plusieurs des liaisons sans fil, chaque pont L\_WZ franchi réserve de la bande passante auprès du gestionnaire unique des ressources isochrones du réseau sans fil, assurant ainsi une gestion cohérente des ressources sans fil.

25 Selon une variante de réalisation du second exemple de réalisation, on élimine, comme dans le cas de la seconde variante du premier exemple de réalisation, le bus virtuel interne d'un noeud X qui possède une liaison sans fil unique, vers un autre noeud Y. On élimine également les deux portails virtuels connectés à ce bus. Par contraction, on forme un portail semi-virtuel composé du portail réel X et du portail virtuel L\_XY.Y. Les figures 10a et 10b représentent un même modèle respectivement avant et après cette simplification.

30 Dans le cas illustré par les figures 10a et 10b, le noeud Y fait partie de deux liaisons sans fil. Si le noeud Y faisait partie uniquement de la liaison sans fil XY, alors en appliquant la présente simplification, le schéma de la figure 10b se réduirait à un pont reliant deux bus réels et composé du  
35 portail réel X et du portail réel Y.

Selon la présente variante, cette liaison sans fil est remplacée par un pont formé du portail réel X du noeud X et d'un portail virtuel  $p_{YX.Y}$  géré par le noeud Y. Ce pont semi-virtuel est illustré à la figure 9. Il est à noter que l'exemple de la figure 1 ne comporte pas de noeud ne faisant

5 partie que d'une seule liaison sans fil.

## Revendications

- 5 1. Procédé de gestion de ressources dans un réseau de communication comportant au moins deux bus de communication reliés par l'intermédiaire d'un pont de transmission sans fil, ledit pont comportant pour chaque bus un portail réel connecté à ce bus, chaque portail étant muni de moyens de communication sans fil, caractérisé en ce que ledit procédé comporte les étapes de :
- 10 - modélisation dudit pont sans fil par chaque portail réel sous forme de bus virtuels et de ponts virtuels, chaque pont virtuel comportant deux portails virtuels ;
- émulation d'un registre global de disponibilité de bande passante pour l'ensemble du pont sans fil ;
- 15 - réservation de bande passante auprès dudit registre global pour chaque liaison sans fil participant à une communication.
- 20 2. Procédé selon la revendication 1, caractérisé en ce qu'une liaison sans fil est modélisée sous la forme d'un pont virtuel.
3. Procédé selon la revendication 1, caractérisé en ce qu'une liaison sans fil est modélisée sous la forme d'un bus virtuel.
- 25 4. Procédé selon la revendication 1, caractérisé en ce qu'un groupe de liaisons sans fil reliant un groupe de portails à connectivité complète au sein d'un réseau plus vaste à connectivité partielle est modélisé sous la forme d'un bus virtuel.
- 30 5. Procédé selon l'une des revendications 3 ou 4, caractérisé en ce que chaque portail réel émule :
- un portail virtuel formant avec le portail réel un pont reliant le bus de communication connecté au portail réel à un bus virtuel dit interne également émulé par ledit portail réel ;
- 35 - un pont virtuel pour chaque liaison sans fil avec un autre portail réel.



6. Procédé selon la revendication 2, caractérisé en ce que chaque portail réel émule :

- un portail virtuel formant avec le portail réel un pont reliant le bus de communication connecté au portail réel à un bus virtuel dit interne également émulé par ledit portail réel ;

- un portail virtuel pour chaque liaison sans fil avec d'autres portails du pont sans fil, deux portails virtuels correspondant à la même liaison sans fil entre deux portails réels formant un pont virtuel représentant la liaison sans fil.

7. Procédé selon l'une des revendications 4 ou 5, caractérisé en ce qu'il comporte en outre l'étape de suppression d'un bus interne et des portails virtuels qui y sont connectés, et de contraction en un pont des deux portails orphelins ainsi créés, dans le cas où le portail réel comportant ledit bus interne fait partie d'une unique liaison sans fil.

8. Procédé selon l'une des revendications 1 à 7, caractérisé en ce qu'il comporte en outre l'étape de détermination par chaque portail réel, de l'ensemble des liaisons sans fil entre les portails réels.

9. Procédé selon la revendication 8, caractérisé en ce ladite étape de détermination de l'ensemble des liaisons sans fil comporte les étapes de :

- identification, par chaque portail réel, des autres portails réels dont des données lui parviennent directement ;

- transmission à destination de tous les autres portails réels du réseau sans fil, de la liste des portails réels avec lesquels une liaison directe existe ;

- réception de ladite liste établie par chacun des autres portails.

10. Procédé selon l'une des revendications précédentes, caractérisé en ce qu'il comporte également l'étape d'émulation d'un registre de disponibilité de canaux isochrones pour chaque bus virtuel.

**This Page Blank (uspto)**

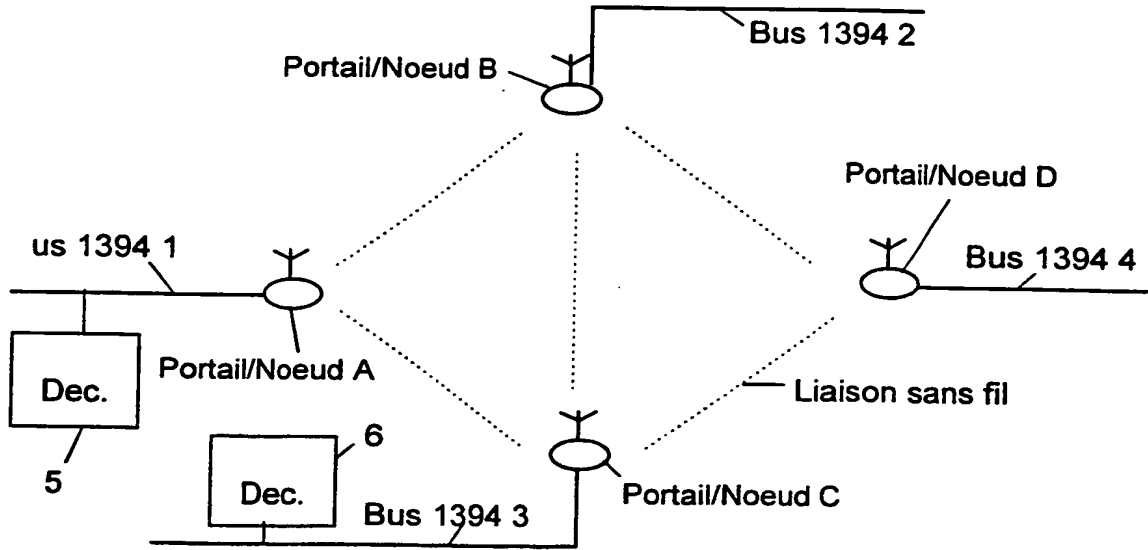


Fig. 1

**This Page Blank (uspto)**

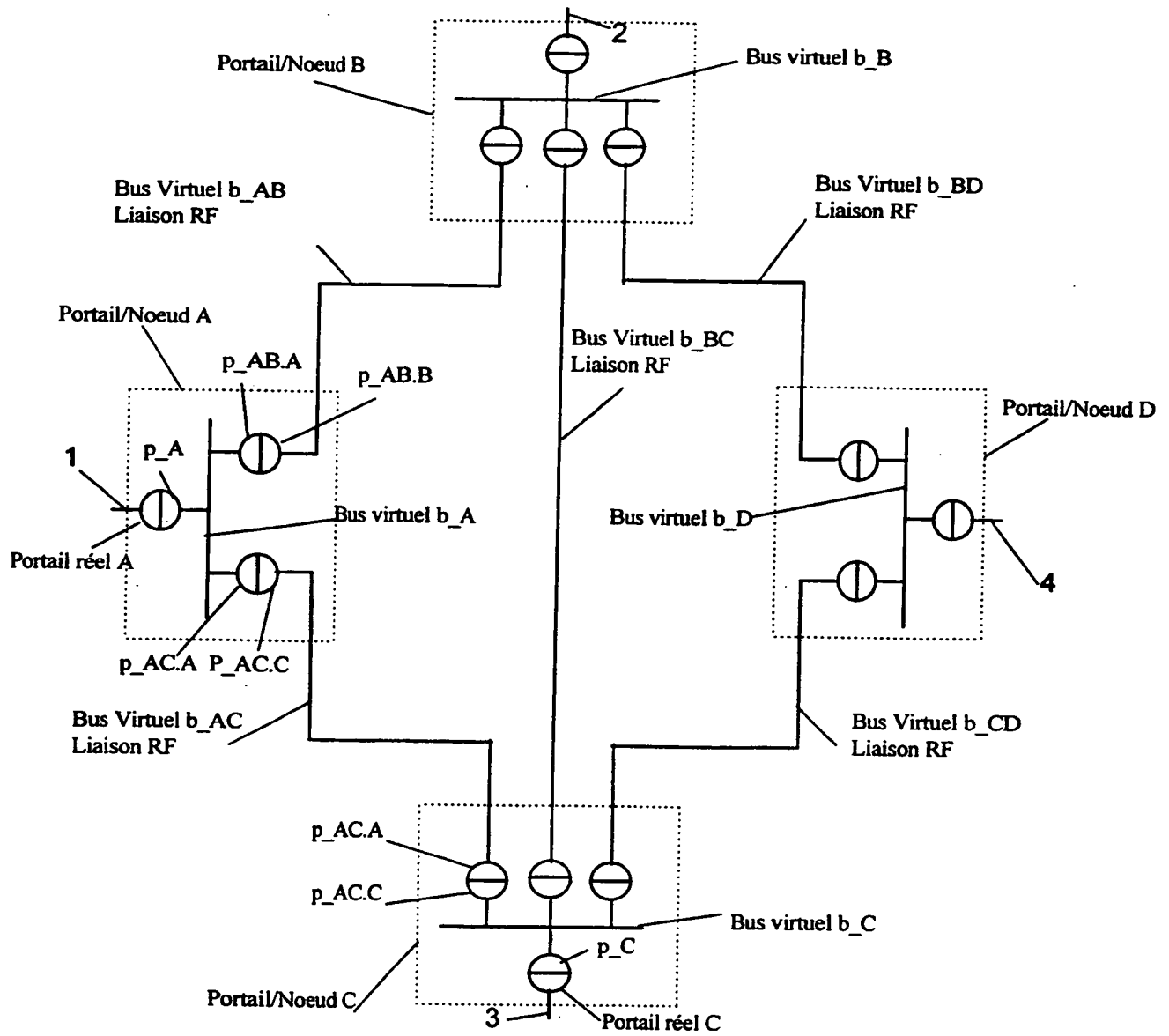


Fig. 2

**This Page Blank (uspto)**

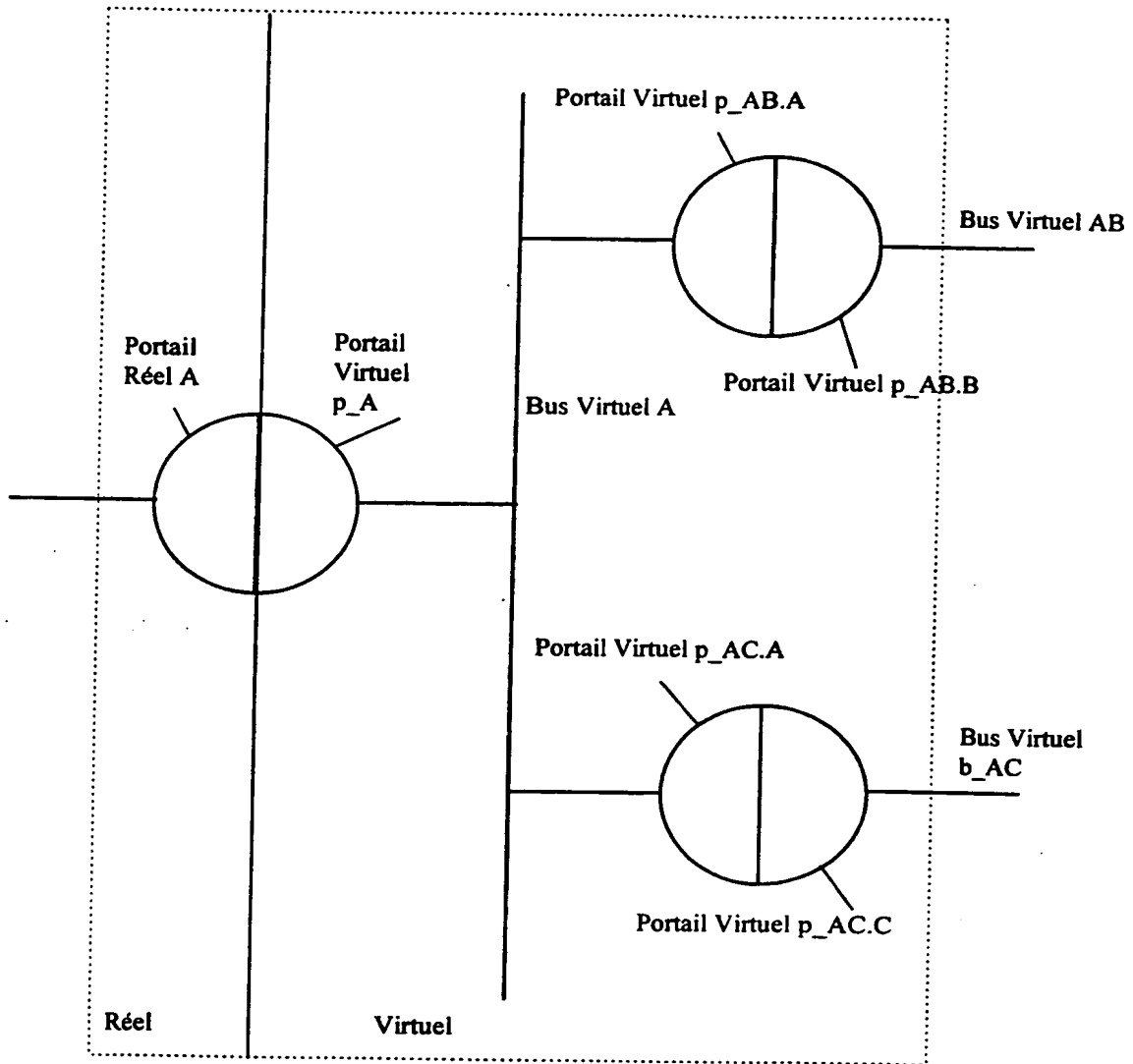


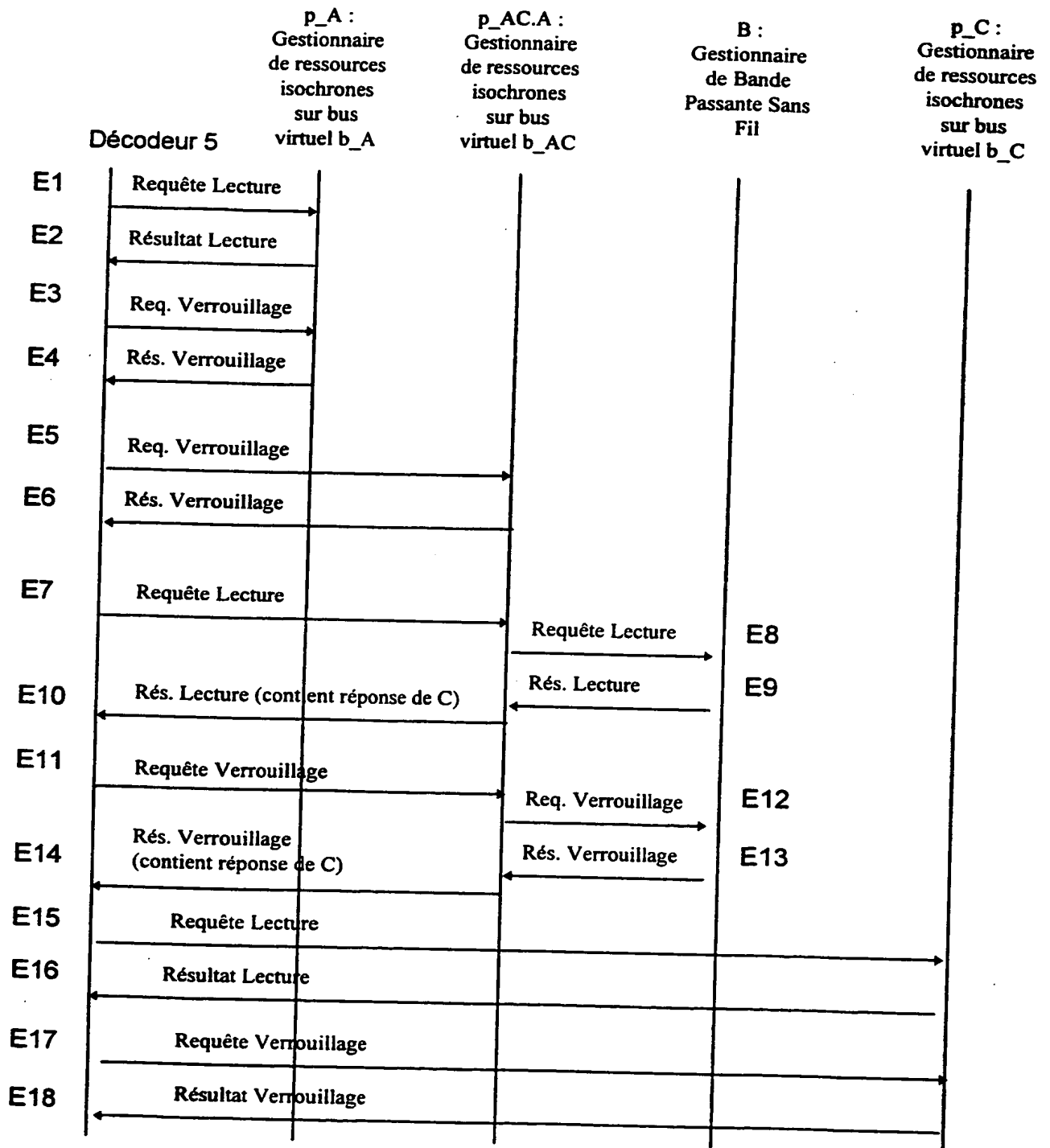
Fig. 3

**This Page Blank (uspto)**



# 4 / 10

## Fig. 4



**This Page Blank (uspto)**

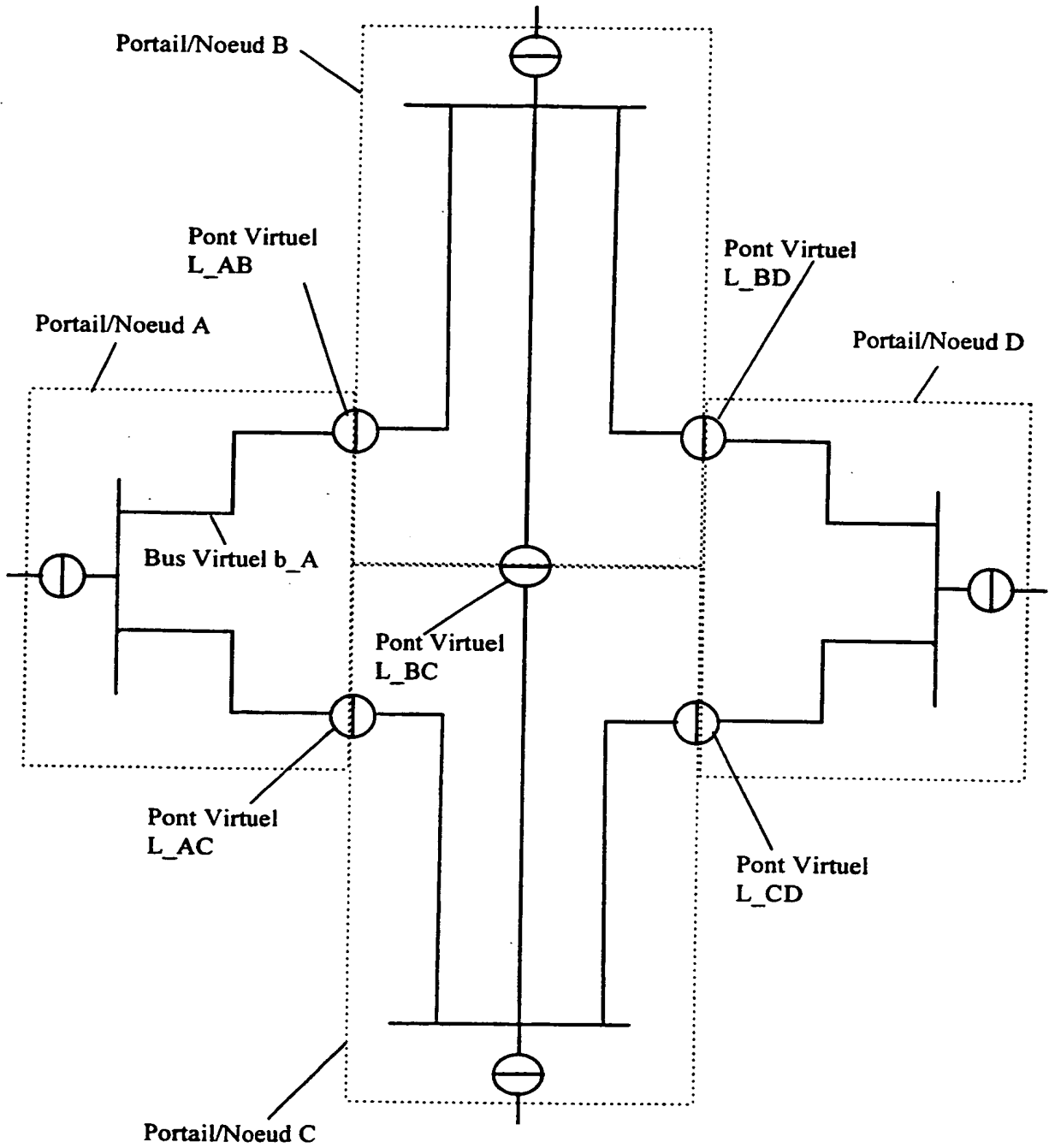


Fig. 5

**This Page Blank (uspto)**

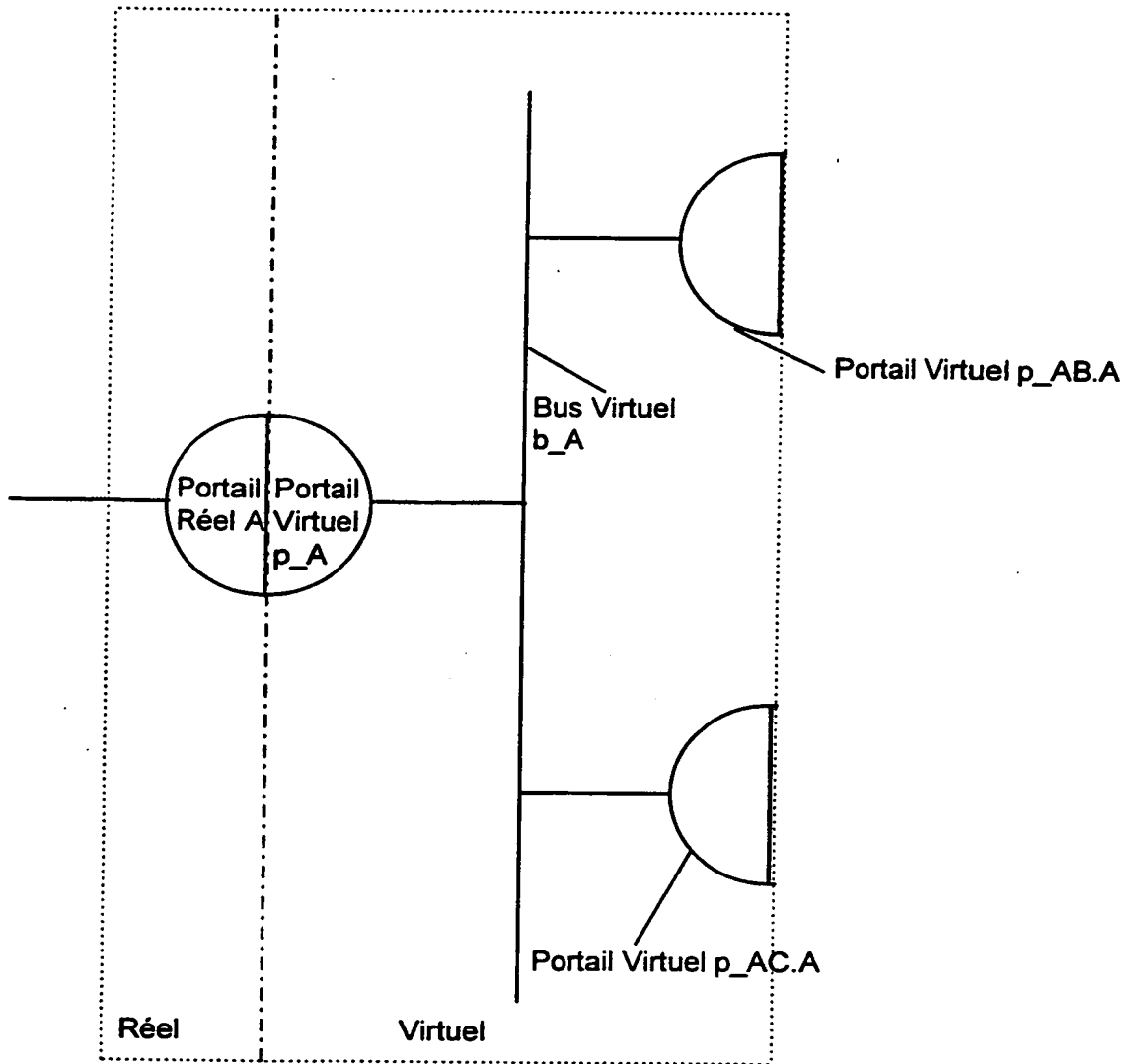


Fig. 6

This Page Blank (uspto)

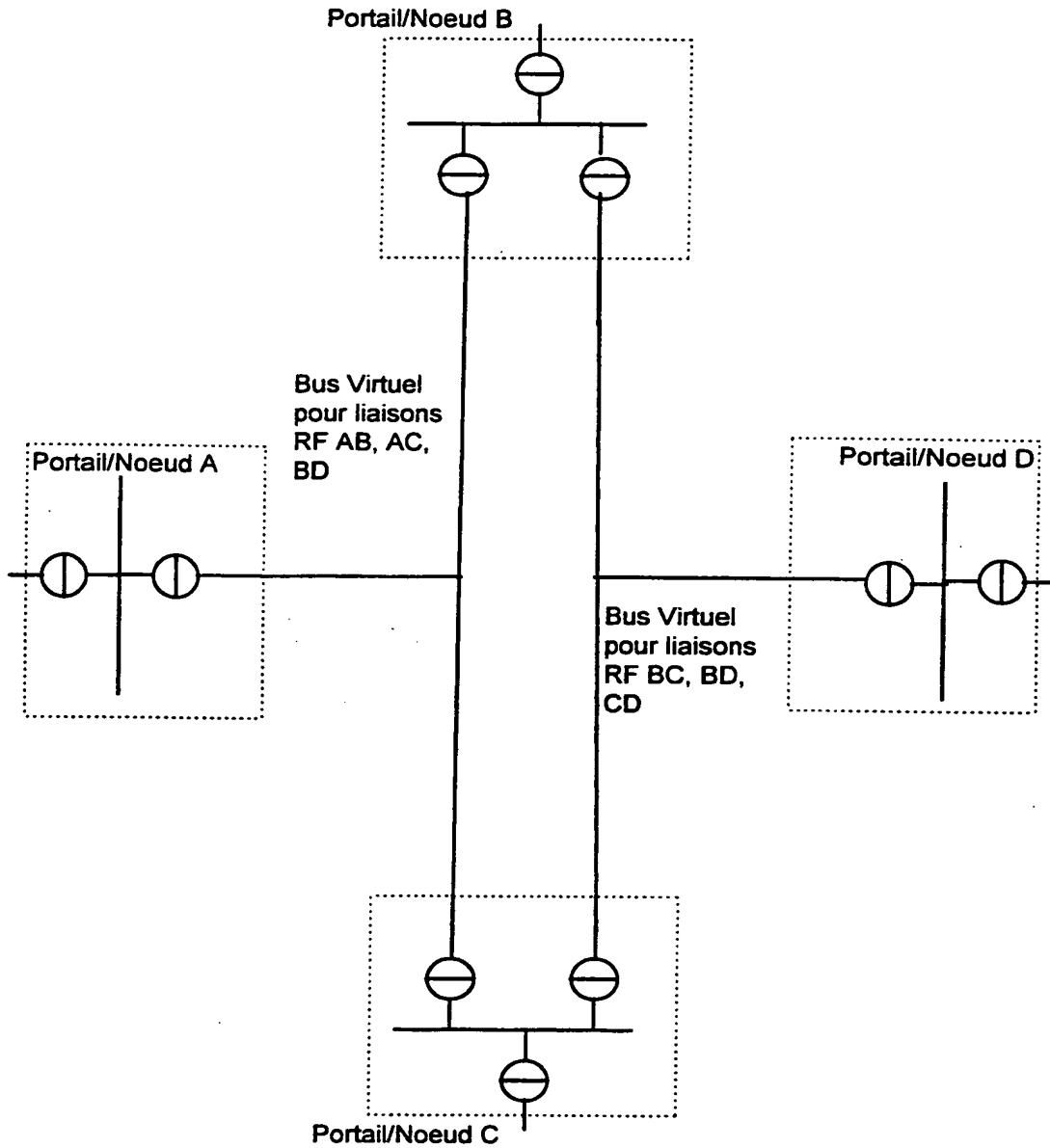


Fig. 7

**This Page Blank (uspto)**



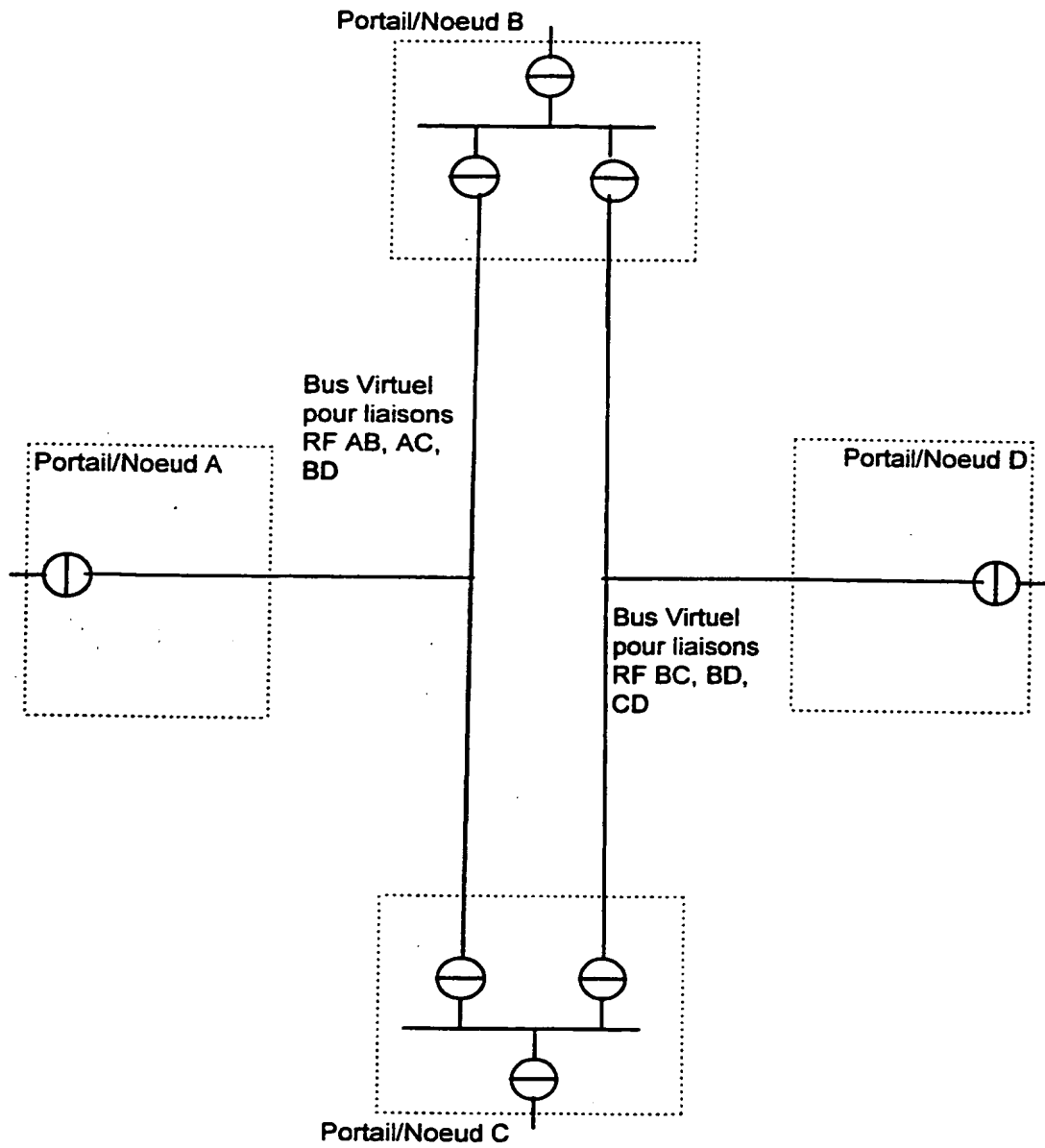


Fig. 8

**This Page Blank (uspto)**

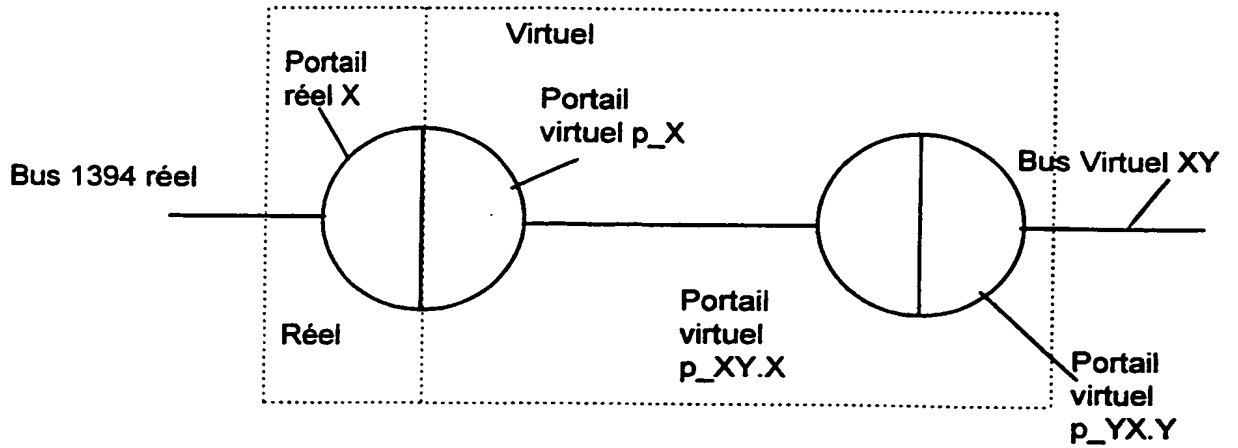


Fig. 9a

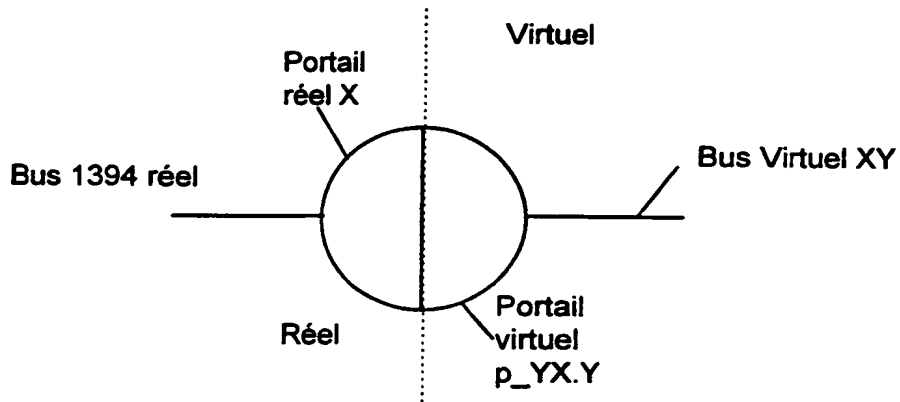
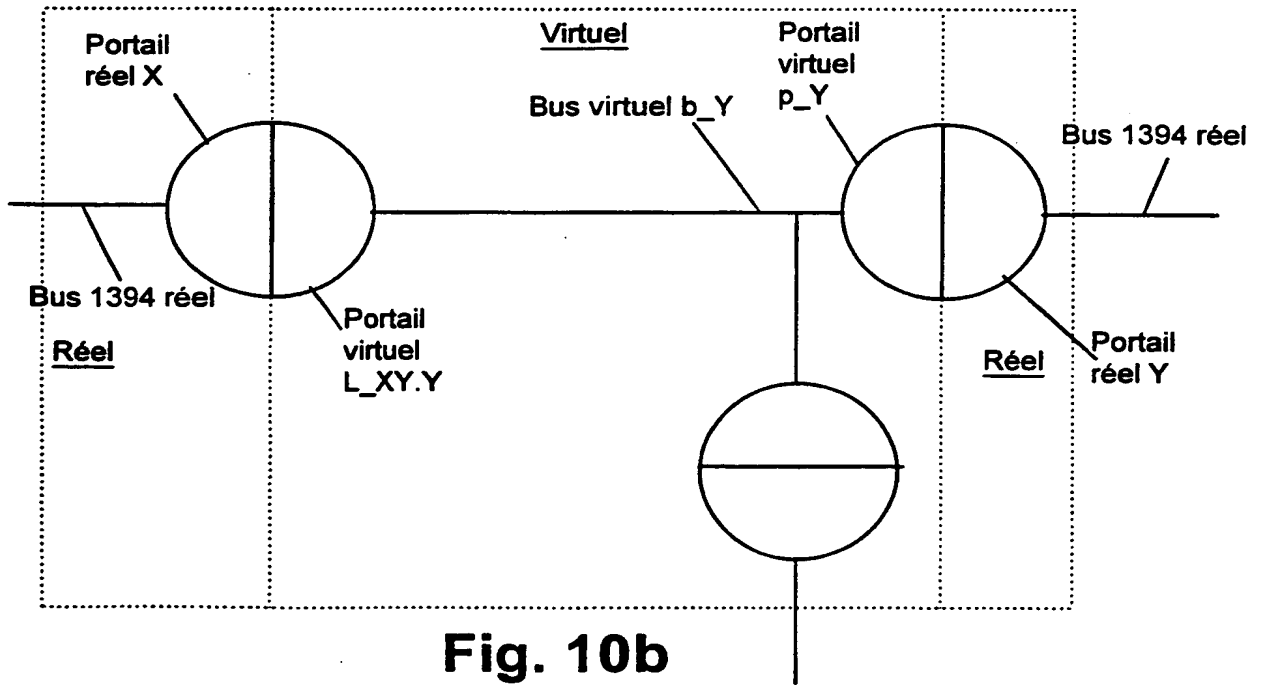
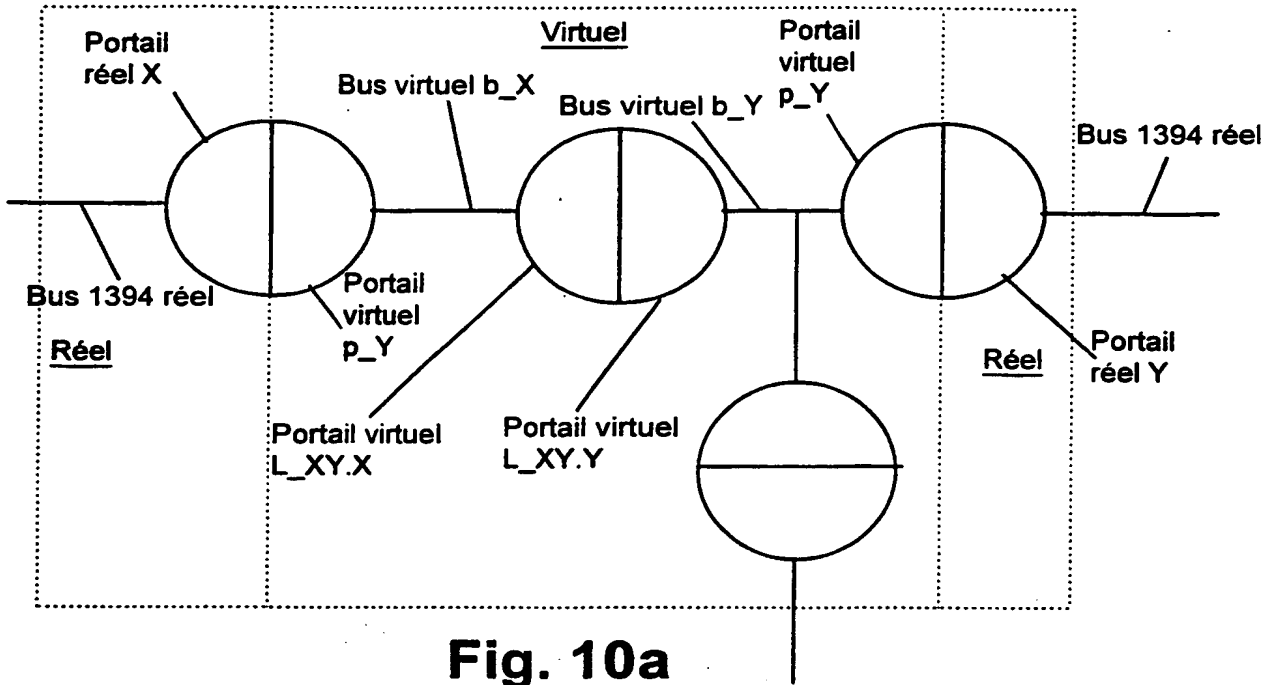


Fig. 9b

This Page Blank (uspto)

# 10 / 10



This Page Blank (uspto)



DEMANDE INTERNATIONALE PUBLIÉE EN VERTU DU TRAITE DE COOPERATION EN MATIÈRE DE BREVETS (PCT)

|   |           |  |
|---|-----------|--|
| <p>(51) Classification internationale des brevets <sup>7</sup> :<br/>H04L 12/24, 12/28, 12/40</p>   | <p>A3</p> | <p>(11) Numéro de publication internationale: <b>WO 00/31911</b></p>   |
|   |           | <p>(43) Date de publication internationale: 2 juin 2000 (02.06.00)</p>   |
| <p>(21) Numéro de la demande internationale: PCT/FR99/02863</p> <p>(22) Date de dépôt international: 22 novembre 1999 (22.11.99)</p> <p>(30) Données relatives à la priorité:<br/>98/14852 25 novembre 1998 (25.11.98) FR</p> <p>(71) Déposant (pour tous les Etats désignés sauf US): THOMSON MULTIMEDIA [FR/FR]; 46, quai Alphonse Le Gallo, F-92100 Boulogne-Billancourt (FR).</p> <p>(72) Inventeurs; et<br/>(75) Inventeurs/Déposants (US seulement): STRAUB, Gilles [FR/FR]; Thomson multimedia, 46, quai Alphonse Le Gallo, F-92648 Boulogne Cedex (FR). BÜRKLIN, Helmut [DE/FR]; Thomson multimedia, 46, quai Alphonse Le Gallo, F-92648 Boulogne Cedex (FR). LEGALLAIS, Yvon [FR/FR]; Thomson multimedia, 46, quai Alphonse Le Gallo, F-92648 Boulogne Cedex (FR).</p> <p>(74) Mandataire: KOHRS, Martin; Thomson multimedia, 46, quai Alphonse Le Gallo, F-92648 Boulogne Cedex (FR).</p> |           | <p>(81) Etats désignés: AE, AL, AM, AT, AU, AZ, BA, BB, BG, BR, BY, CA, CH, CN, CR, CU, CZ, DE, DK, DM, EE, ES, FI, GB, GD, GE, GH, GM, HR, HU, ID, IL, IN, IS, JP, KE, KG, KP, KR, KZ, LC, LK, LR, LS, LT, LU, LV, MA, MD, MG, MK, MN, MW, MX, NO, NZ, PL, PT, RO, RU, SD, SE, SG, SI, SK, SL, TJ, TM, TR, TT, TZ, UA, UG, US, UZ, VN, YU, ZA, ZW, brevet ARIPO (GH, GM, KE, LS, MW, SD, SL, SZ, TZ, UG, ZW), brevet eurasien (AM, AZ, BY, KG, KZ, MD, RU, TJ, TM), brevet européen (AT, BE, CH, CY, DE, DK, ES, FI, FR, GB, GR, IE, IT, LU, MC, NL, PT, SE), brevet OAPI (BF, BJ, CF, CG, CI, CM, GA, GN, GW, ML, MR, NE, SN, TD, TG).</p> <p>Publiée<br/>Avec rapport de recherche internationale.</p> <p>(88) Date de publication du rapport de recherche internationale:<br/>26 octobre 2000 (26.10.00)</p> |

(54) Title: METHOD FOR MANAGING BANDWIDTH IN A COMMUNICATION NETWORK COMPRISING A CORDLESS CONNECTION

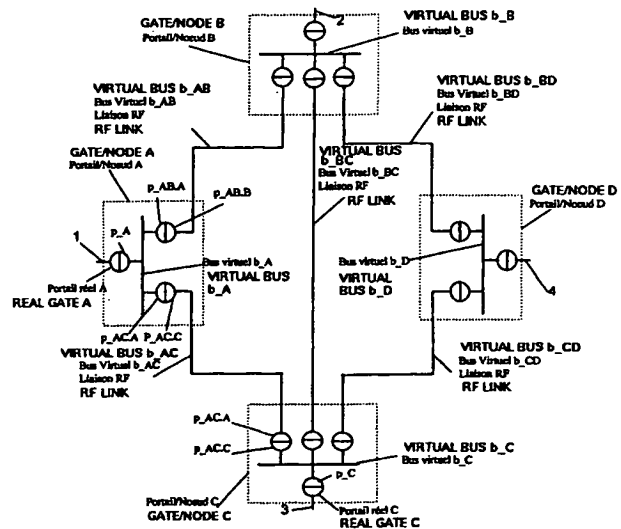
(54) Titre: PROCÉDE DE GESTION DE BANDE PASSANTE DANS UN RESEAU DE COMMUNICATION COMPORTANT UNE LIAISON SANS FIL

(57) Abstract

The invention concerns a method for managing resources in a communication network comprising at least two communication buses linked via a cordless transmission bridge, said bridge comprising for each bus a real gate connected to said bus, each gate being provided with cordless communication means. The method is characterised by steps which consist in: modelling said cordless bridge for each real gate in the form of virtual buses and virtual bridges, each virtual bridge comprising two virtual gates; emulating a global register of bandwidth availability for the whole cordless bridge; reserving bandwidth in said global register for each cordless connection taking part in the communication. The invention is particularly applicable in home automation.

(57) Abrégé

L'invention concerne un procédé de gestion de ressources dans un réseau de communication comportant au moins deux bus de communication reliés par l'intermédiaire d'un pont de transmission sans fil, ledit pont comportant pour chaque bus un portail réel connecté à ce bus, chaque portail étant muni de moyens de communication sans fil. Le procédé est caractérisé par les étapes: modélisation dudit pont sans fil par chaque portail réel sous forme de bus virtuels et de ponts virtuels, chaque pont virtuel comportant deux portails virtuels; émulation d'un registre global de disponibilité de bande passante pour l'ensemble du pont sans fil; réservation de bande passante auprès dudit registre global pour chaque liaison sans fil participant à une communication. L'invention s'applique notamment dans le domaine de la domotique.



**UNIQUEMENT A TITRE D'INFORMATION**

Codes utilisés pour identifier les Etats parties au PCT, sur les pages de couverture des brochures publiant des demandes internationales en vertu du PCT.

|    |                           |    |   |    |  |    |                       |
|----|---------------------------|----|---|----|--|----|-----------------------|
| AL | Albanie                   | ES | Espagne                                       | LS | Lesotho                                  | SI | Slovénie              |
| AM | Arménie                   | FI | Finlande                                      | LT | Lituanie                                 | SK | Slovaquie             |
| AT | Autriche                  | FR | France  | LU | Luxembourg                               | SN | Sénégal               |
| AU | Australie                 | GA | Gabon   | LV | Lettonie                                 | SZ | Swaziland             |
| AZ | Azerbaïdjan               | GB | Royaume-Uni                                   | MC | Monaco                                   | TD | Tchad                 |
| BA | Bosnie-Herzégovine        | GE | Géorgie                                       | MD | République de Moldova                    | TG | Togo                  |
| BB | Barbade                   | GH | Ghana   | MG | Madagascar                               | TJ | Tadjikistan           |
| BE | Belgique                  | GN | Guinée  | MK | Ex-République yougoslave<br>de Macédoine | TM | Turkménistan          |
| BF | Burkina Faso              | GR | Grèce   | ML | Mali                                     | TR | Turquie               |
| BG | Bulgarie                  | HU | Hongrie                                       | MN | Mongolie                                 | TT | Trinité-et-Tobago     |
| BJ | Bénin                     | IE | Irlande                                       | MR | Mauritanie                               | UA | Ukraine               |
| BR | Bésil                     | IL | Israël  | MW | Malawi                                   | UG | Ouganda               |
| BY | Bélarus                   | IS | Islande                                       | MX | Mexique                                  | US | Etats-Unis d'Amérique |
| CA | Canada                    | IT | Italie  | NE | Niger                                    | UZ | Ouzbékistan           |
| CF | République centrafricaine | JP | Japon   | NL | Pays-Bas                                 | VN | Viet Nam              |
| CG | Congo                     | KE | Kenya   | NO | Norvège                                  | YU | Yougoslavie           |
| CH | Suisse                    | KG | Kirghizistan                                  | NZ | Nouvelle-Zélande                         | ZW | Zimbabwe              |
| CI | Côte d'Ivoire             | KP | République populaire<br>démocratique de Corée | PL | Pologne                                  |    |                       |
| CM | Cameroun                  | KR | République de Corée                           | PT | Portugal                                 |    |                       |
| CN | Chine                     | KZ | Kazakstan                                     | RO | Roumanie                                 |    |                       |
| CU | Cuba                      | LC | Sainte-Lucie                                  | RU | Fédération de Russie                     |    |                       |
| CZ | République tchèque        | LI | Liechtenstein                                 | SD | Soudan                                   |    |                       |
| DE | Allemagne                 | LK | Sri Lanka                                     | SE | Suède                                    |    |                       |
| DK | Danemark                  | LR | Libéria                                       | SG | Singapour                                |    |                       |
| EE | Estonie                   |    |   |    |  |    |                       |



# INTERNATIONAL SEARCH REPORT

Inte Application No

PCT/FR 99/02863

**A. CLASSIFICATION OF SUBJECT MATTER**  
 IPC 7 H04L12/24 H04L12/28 H04L12/40

According to International Patent Classification (IPC) or to both national classification and IPC

**B. FIELDS SEARCHED**

Minimum documentation searched (classification system followed by classification symbols)

IPC 7 H04L H04Q

Documentation searched other than minimum documentation to the extent that such documents are included in the fields searched

Electronic data base consulted during the international search (name of data base and, where practical, search terms used)

EPO-Internal, WPI Data, INSPEC

**C. DOCUMENTS CONSIDERED TO BE RELEVANT**

| Category * | Citation of document, with indication, where appropriate, of the relevant passages   | Relevant to claim No. |
|------------|--|-----------------------|
| A          | Kazunobu Toguchi, Masatoshi Ueno, Hisato Shima,<br>"RESERVATION OF BRIDGE RESOURCES<br>Proposal for January 26 p1394.1 working<br>group" 'en ligne!<br>Extrait de l'Internet: <URL:<br><a href="http://grouper.ieee.org/groups/1394/1/Documents/BR009r00.pdf">http://grouper.ieee.org/groups/1394/1/Documents/BR009r00.pdf</a> > Janvier 1998<br>XP002106310<br>the whole document | 1-4,8,10              |

Further documents are listed in the continuation of box C.

Patent family members are listed in annex.

\* Special categories of cited documents :

- "A" document defining the general state of the art which is not considered to be of particular relevance
- "E" earlier document but published on or after the international filing date
- "L" document which may throw doubts on priority claim(s) or which is cited to establish the publication date of another citation or other special reason (as specified)
- "O" document referring to an oral disclosure, use, exhibition or other means
- "P" document published prior to the international filing date but later than the priority date claimed

- "T" later document published after the international filing date or priority date and not in conflict with the application but cited to understand the principle or theory underlying the invention
- "X" document of particular relevance; the claimed invention cannot be considered novel or cannot be considered to involve an inventive step when the document is taken alone
- "Y" document of particular relevance; the claimed invention cannot be considered to involve an inventive step when the document is combined with one or more other such documents, such combination being obvious to a person skilled in the art.
- "&" document member of the same patent family

Date of the actual completion of the international search

17 July 2000

Date of mailing of the international search report

28/07/2000

Name and mailing address of the ISA

European Patent Office, P.B. 5818 Patentlaan 2  
 NL - 2280 HV Rijswijk  
 Tel. (+31-70) 340-2040, Tx. 31 651 epo nl,  
 Fax: (+31-70) 340-3016

Authorized officer

Carnerero Álvaro, F

# INTERNATIONAL SEARCH REPORT

International Application No

PCT/FR 99/02863

**C.(Continuation) DOCUMENTS CONSIDERED TO BE RELEVANT**

| Category ° | Citation of document, with indication, where appropriate, of the relevant passages | Relevant to claim No. |
|------------|--|-----------------------|
|------------|--|-----------------------|

|   |   |            |
|---|---|------------|
| A | <p>Sugita / Hiraiwa / Akahane,<br/>                     "PROPOSALS IN CONSIDERATION OF WIRELESS<br/>                     BRIDGE FABRIC" 'en ligne!<br/>                     Extrait de l'Internet:<br/>                     &lt;URL:<a href="http://grouper.ieee.org/groups/1394/1/Document/br019r00.pdf">http://grouper.ieee.org/groups/1394/1/Document/br019r00.pdf</a>&gt; Mars 1998<br/>                     XP002106311<br/>                     page 2 -page 10</p> | 1-4, 8, 10 |
|---|---|------------|

|   |   |      |
|---|---|------|
| A | <p style="text-align: center;">---</p> <p>Takashi Sato,<br/>                     "1394 Wireless Bridge with Virtual Bus"<br/>                     'en ligne!<br/>                     Extrait de l'Internet: &lt;URL:<br/> <a href="http://grouper.ieee.org/groups/1394/1/Document/BR029r00.pdf">http://grouper.ieee.org/groups/1394/1/Document/BR029r00.pdf</a>&gt; Juin 1998<br/>                     XP002106312<br/>                     the whole document</p> | 1-10 |
|---|---|------|

|   |   |      |
|---|---|------|
| A | <p style="text-align: center;">---</p> <p>sponsor: MICROPROCESSOR AND MICROCOMPUTER<br/>                     STANDARDS COMMITTEE OF THE IEEE COMPUTER<br/>                     SOCIETY",<br/>                     "P1394.1<br/>                     DRAFT STANDARD FOR HIGH PERFORMANCE SERIAL<br/>                     BUS BRIDGES" 'en ligne!<br/>                     Extrait de l'Internet:<br/>                     &lt;URL:<br/> <a href="http://grouper.ieee.org/groups/1394/1/drafts/d00_01.pdf">http://grouper.ieee.org/groups/1394/1/drafts/d00_01.pdf</a>&gt; 18 Octobre 1998<br/>                     XP002106313<br/>                     cited in the application<br/>                     the whole document</p> | 1-10 |
|---|---|------|

|   |  |   |
|---|--|---|
| A | <p style="text-align: center;">---</p> <p>"IEEE p1394.1 Working Group<br/>                     Minutes.<br/>                     Monday, January 26th, 1998<br/>                     San José, California." 'en ligne!<br/>                     Extrait de l'Internet:<br/>                     &lt;URL:<br/> <a href="http://grouper.ieee.org/groups/1394/1/minutes/jan98.pdf">http://grouper.ieee.org/groups/1394/1/minutes/jan98.pdf</a>&gt; 26 Janvier 1998<br/>                     XP002106314<br/>                     page 2, line 8 - line 31</p> | 1 |
|---|--|---|

|   |   |   |
|---|---|---|
| A | <p style="text-align: center;">---</p> <p>"High Performance Serial Bus Bridges<br/>                     Minutes of the June 9-10 meeting<br/>                     IEEE P1394.1 Working Group" 'en ligne!<br/>                     Extrait de l'Internet:<br/>                     &lt;URL:<br/> <a href="http://grouper.ieee.org/groups/1394/1/minutes/jun98.pdf">http://grouper.ieee.org/groups/1394/1/minutes/jun98.pdf</a>&gt; 9-10 Juin 1998<br/>                     XP002106315<br/>                     page 3<br/>                     page 5, line 9 - line 10</p> | 1 |
|---|---|---|

-/--

1

INTERNATIONAL SEARCH REPORT

Intr. Application No

PCT/FR 99/02863

C.(Continuation) DOCUMENTS CONSIDERED TO BE RELEVANT

| Category ° | Citation of document, with indication, where appropriate, of the relevant passages  | Relevant to claim No. |
|------------|---|-----------------------|
| A          | <p>BLOKS R H J: "THE IEEE-1394 HIGH SPEED SERIAL BUS"<br/>                     PHILIPS JOURNAL OF RESEARCH,<br/>                     vol. 50, no. 1/02,<br/>                     1 July 1996 (1996-07-01), pages 209-216,<br/>                     XP000627671<br/>                     page 210 -page 212<br/>                     -----</p> | 1-10                  |

**This Page Blank (uspto)**

# RAPPORT DE RECHERCHE INTERNATIONALE

Den... Internationale No

PCT/FR 99/02863

**A. CLASSEMENT DE L'OBJET DE LA DEMANDE**  
 CIB 7 H04L12/24 H04L12/28 H04L12/40

Selon la classification internationale des brevets (CIB) ou à la fois selon la classification nationale et la CIB

**B. DOMAINES SUR LESQUELS LA RECHERCHE A PORTE**

Documentation minimale consultée (système de classification suivi des symboles de classement)

CIB 7 H04L H04Q

Documentation consultée autre que la documentation minimale dans la mesure où ces documents relèvent des domaines sur lesquels a porté la recherche

Base de données électronique consultée au cours de la recherche internationale (nom de la base de données, et si réalisable, termes de recherche utilisés)

EPO-Internal, WPI Data, INSPEC

**C. DOCUMENTS CONSIDERES COMME PERTINENTS**

| Catégorie * | Identification des documents cités, avec, le cas échéant, l'indication des passages pertinents   | no. des revendications visées |
|-------------|--|-------------------------------|
| A           | Kazunobu Toguchi, Masatoshi Ueno, Hisato Shima,<br>"RESERVATION OF BRIDGE RESOURCES<br>Proposal for January 26 p1394.1 working<br>group" 'en ligne!<br>Extrait de l'Internet: <URL:<br>http://grouper.ieee.org/groups/1394/1/Docu<br>ments/BR009r00.pdf> Janvier 1998<br>XP002106310<br>le document en entier<br>---<br>-/-- | 1-4, 8, 10                    |

Voir la suite du cadre C pour la fin de la liste des documents

Les documents de familles de brevets sont indiqués en annexe

\* Catégories spéciales de documents cités:

- \*A\* document définissant l'état général de la technique, non considéré comme particulièrement pertinent
- \*E\* document antérieur, mais publié à la date de dépôt international ou après cette date
- \*L\* document pouvant jeter un doute sur une revendication de priorité ou cité pour déterminer la date de publication d'une autre citation ou pour une raison spéciale (telle qu'indiquée)
- \*O\* document se référant à une divulgation orale, à un usage, à une exposition ou tous autres moyens
- \*P\* document publié avant la date de dépôt international, mais postérieurement à la date de priorité revendiquée

- \*T\* document ultérieur publié après la date de dépôt international ou la date de priorité et n'appartenant pas à l'état de la technique pertinent, mais cité pour comprendre le principe ou la théorie constituant la base de l'invention
- \*X\* document particulièrement pertinent; l'invention revendiquée ne peut être considérée comme nouvelle ou comme impliquant une activité inventive par rapport au document considéré isolément
- \*Y\* document particulièrement pertinent; l'invention revendiquée ne peut être considérée comme impliquant une activité inventive lorsque le document est associé à un ou plusieurs autres documents de même nature, cette combinaison étant évidente pour une personne du métier
- \*&\* document qui fait partie de la même famille de brevets

Date à laquelle la recherche internationale a été effectivement achevée

17 juillet 2000

Date d'expédition du présent rapport de recherche internationale

28/07/2000

Nom et adresse postale de l'administration chargée de la recherche internationale

Office Européen des Brevets, P.B. 5818 Patentlaan 2  
 NL - 2280 HV Rijswijk  
 Tel. (+31-70) 340-2040, Tx. 31 651 epo rd,  
 Fax: (+31-70) 340-3016

Fonctionnaire autorisé

Carnerero Álvaro, F

# RAPPORT DE RECHERCHE INTERNATIONALE

Je Internationale No

PCT/FR 99/02863

C.(suite) DOCUMENTS CONSIDERES COMME PERTINENTS

| Catégorie | Identification des documents cités, avec, le cas échéant, l'Indication des passages pertinents  | no. des revendications visées |
|-----------|---|-------------------------------|
| A         | <p>Sugita / Hiraiwa / Akahane,<br/>                     "PROPOSALS IN CONSIDERATION OF WIRELESS<br/>                     BRIDGE FABRIC" 'en ligne!<br/>                     Extrait de l'Internet:<br/>                     &lt;URL:http://grouper.ieee.org/groups/1394/1<br/>                     /Documents/br019r00.pdf&gt; Mars 1998<br/>                     XP002106311<br/>                     page 2 -page 10</p>  | 1-4,8,10                      |
| A         | <p>Takashi Sato,<br/>                     "1394 Wireless Bridge with Virtual Bus"<br/>                     'en ligne!<br/>                     Extrait de l'Internet: &lt;URL:<br/>                     http://grouper.ieee.org/groups/1394/1/Docu<br/>                     ments/BR029r00.pdf&gt; Juin 1998<br/>                     XP002106312<br/>                     le document en entier</p>  | 1-10                          |
| A         | <p>sponsor: MICROPROCESSOR AND MICROCOMPUTER<br/>                     STANDARDS COMMITTEE OF THE IEEE COMPUTER<br/>                     SOCIETY",<br/>                     "P1394.1<br/>                     DRAFT STANDARD FOR HIGH PERFORMANCE SERIAL<br/>                     BUS BRIDGES" 'en ligne!<br/>                     Extrait de l'Internet:<br/>                     &lt;URL:<br/>                     http://grouper.ieee.org/groups/1394/1/draf<br/>                     ts/d00_01.pdf&gt; 18 Octobre 1998<br/>                     XP002106313<br/>                     cité dans la demande<br/>                     le document en entier</p> | 1-10                          |
| A         | <p>"IEEE p1394.1 Working Group<br/>                     Minutes.<br/>                     Monday, January 26th, 1998<br/>                     San José, California." 'en ligne!<br/>                     Extrait de l'Internet:<br/>                     &lt;URL:<br/>                     http://grouper.ieee.org/groups/1394/1/minu<br/>                     tes/jan98.pdf&gt; 26 Janvier 1998<br/>                     XP002106314<br/>                     page 2, ligne 8 - ligne 31</p>   | 1                             |
| A         | <p>"High Performance Serial Bus Bridges<br/>                     Minutes of the June 9-10 meeting<br/>                     IEEE P1394.1 Working Group" 'en ligne!<br/>                     Extrait de l'Internet:<br/>                     &lt;URL:<br/>                     http://grouper.ieee.org/groups/1394/1/minu<br/>                     tes/jun98.pdf&gt; 9-10 Juin 1998<br/>                     XP002106315<br/>                     page 3<br/>                     page 5, ligne 9 - ligne 10</p>  | 1                             |

-/--

# RAPPORT DE RECHERCHE INTERNATIONALE

Den XXXXXXXXXX Internationale No  
 PCT/FR 99/02863

## C.(suite) DOCUMENTS CONSIDERES COMME PERTINENTS

| Catégorie | Identification des documents cités, avec, le cas échéant, l'indication des passages pertinents  | no. des revendications visées |
|-----------|---|-------------------------------|
| A         | BLOKS R H J: "THE IEEE-1394 HIGH SPEED SERIAL BUS"<br>PHILIPS JOURNAL OF RESEARCH,<br>vol. 50, no. 1/02,<br>1 juillet 1996 (1996-07-01), pages<br>209-216, XP000627671<br>page 210 -page 212<br>----- | 1-10                          |

**This Page Blank (uspto)**



REPLACED BY  
ART 24 AMMOT

function of manager of the isochronous resources and for this purpose implements two registers, the first indicating the passband available, whilst the second indicates the isochronous channels available. The names of these two registers in the IEEE 1394 1995 document are respectively 'BANDWIDTH\_AVAILABLE' and 'CHANNEL\_AVAILABLE'. A node makes a reservation for isochronous resources with the manager of isochronous resources by reading the registers and by updating their content according to its requirements.

The reservation process described in the document IEEE 1394 1995 is not however suited to the network of buses connected by a wireless bridge such as that of Figure 1. Specifically, if the portal A has to perform a transmission of passband of width X to the portal D, a passband of width 2X will be required in total: the portal A must reserve a first passband of width X for the transmission from A to, for example, C, then a second passband of width X for the transmission from C to D. Stated otherwise, the passband depends on the connectivity existing in the network: this type of configuration is not taken into account by the current IEEE 1394 1995 standard.

The subject of the invention is a process for managing resources in a communication network comprising at least two communication buses linked by way of a wireless transmission bridge, the said bridge comprising for each bus a real portal connected to this bus, each portal being furnished with wireless communication means, characterized in that the said process comprises the steps of:

- modelling the said wireless bridge by each real portal in the form of virtual buses and virtual bridges, each virtual bridge comprising two virtual portals;
- emulating a global register of passband availability for the entire wireless bridge;

This Page Blank (uspto)

- reserving passband with the said global register for each wireless link participating in a communication.

5 The centralizing of the global register of passband availability function into a single register for all the modelled buses of the wireless bridge makes it possible to make passband reservations globally for this wireless bridge. By transmitting passband reservation requests received on modelled buses to this  
10 single register, the centralizing of the function is made transparent to a node making the reservation.

Other characteristics and advantages of the invention will become apparent through the description of two particular non-limiting exemplary embodiments  
15 described with the aid of the appended figures among which:

- Figure 1 is a diagram representing a wireless bridge between several buses;

- Figure 2 is a diagram representing a  
20 modelling of the bridge of Figure 1 by use of virtual buses according to a first exemplary embodiment;

- Figure 3 is a diagram representing the real and virtual elements of the node A of Figure 2;

- Figure 4 is a time chart explaining the  
25 exchanges of messages between the elements of the network within the framework of a reservation of resources;

- Figure 5 represents a modelling of the bridge of Figure 1 by use of virtual bi-portal bridges  
30 according to a second exemplary embodiment;

- Figure 6 is a diagram representing the real and virtual elements of the node A of Figure 5;

- Figure 7 is a simplification of the modelling according to a first variant of the first exemplary  
35 embodiment;

- Figure 8 is an additional simplification of the modelling of Figure 7 according to a second variant of the first exemplary embodiment;

This Page Blank (uspto)

- Figure 9a is a diagram representing a modelling of a particular example of a bond between two nodes, according to the first exemplary embodiment;

5 - Figure 9b is a diagram representing a simplification of the modelling of Figure 9a according to a second variant of the first exemplary embodiment;

- Figure 10a is a diagram representing a modelling of a particular example of a bond between two nodes according to the second exemplary embodiment;

10 - Figure 10b is a diagram representing a simplification of the modelling according to a variant of the second exemplary embodiment.

French Patent Application 98 04982 of 21 April 1998 filed in the name of THOMSON multimedia and bearing the title 'Procédé de synchronisation dans un réseau de communication sans fil' [Process of synchronization in a wireless communication network] also relates to a wireless bridge linking several communication buses, in particular of the IEEE 1394 15 20 1995 type.

According to a first exemplary embodiment, a decomposition of a multi-portal bridge into a given number of bi-portal bridges is carried out by representing a connection between two portals by a 25 virtual bus.

Such a modelling in the case of the example of Figure 1 is given by Figure 2. The dots define the confines of the various nodes acting as portals. Here we shall distinguish between the concept of node, which 30 encompasses the device itself, as well as the concept of portal, with reference to the prime function of the node. This distinction is made so as to clarify the description which will follow. Specifically, a node can simulate, for example in a software manner, virtual 35 elements such as buses and virtual portals. The real portal (denoted A, B, C or D hereinbelow) of the node is then placed functionally at the same level as the

***This Page Blank (uspto)***

virtual portals, although in reality it is this real portal itself which simulates the virtual elements.

Each node comprises a bridge linking its IEEE 1394 bus to an internal virtual bus. This bridge is composed of the real portal connected to the IEEE 1394 bus and of a virtual portal connected to the internal virtual bus.

Each node furthermore comprises a virtual bridge for each possible wireless link with another node. A wireless link is represented by a virtual bus. A virtual bridge comprises two virtual portals, connected respectively to the internal virtual bus of the node and to the virtual bus representing the wireless link.

The internal virtual buses differ from the virtual buses representing the wireless links by an important aspect as regards the reserving of resources: whereas a virtual bus representing a wireless link possesses a limited passband, this is not the case for the internal bus.

Generally, the following notation is adopted:

b\_X Virtual bus of portal X

b\_XY Virtual bus between the portals X and Y

p\_X Virtual portal constituting together with the real portal (for example 'C') the bridge between the IEEE 1394 real bus to which is linked the real portal X and the virtual bus b\_X

p\_XY.X Virtual portal connected to the bus b\_X and forming part of the virtual bridge linking the buses b\_X and b\_XY

p\_XY.Y Virtual portal connected to the bus b\_Y and forming part of the virtual bridge linking the buses b\_X and b\_XY

Taking as example the portal A and with reference to Figure 2, the real portal connecting the IEEE 1394 bus is denoted A, whilst the virtual portal belonging to the same bridge as the real portal is denoted p\_A.

is Page Blank (uspto)



The node A furthermore comprises the virtual bus b\_A, whilst the wireless link between the node A and the node B is represented by the virtual bus b\_AB and the wireless link between the node A and the node C is represented by the virtual bus b\_AC.

The bridge linking the internal virtual bus b\_A to the bus b\_AB is made up of portals p\_AB.A and p\_AB.B, whilst the bridge linking the internal virtual bus b\_A to the bus b\_AC is made up of portals p\_AC.A and p\_AB.A.

The notation for the elements of the other nodes is similar.

Figure 3 represents the elements of the node A, indicating the separation between real elements and virtual elements.

Each node A, B, C or D comprises a physical connection circuit (1394 PHY layer), an interfacing circuit (so-called 'LINK' circuit), as well as software for managing its real portal, managing the registers provided for by the P1394.1 standardization work. Each node furthermore comprises a microprocessor and some memory for emulating each of its portals and virtual buses.

During initialization of the network, each node A, B, C, D determines by virtue of a calibration process the graph of the network, thereby enabling it subsequently to construct its virtual topological model in the manner described.

The information used by a node to compile the graph is obtained by using the control information communication procedure described in the previously mentioned patent application, namely the implementing of an isochronous frame of the TDMA type. Each fixed-length frame of the TDMA system in the wireless bridge comprises a fixed number of control windows, each window being dedicated in a fixed manner to one of the wireless nodes of the bridge. The node knows by construction the position of its control window and

*This Page Blank (uspto)*

**Claims**

1. Process for managing resources in a communication network comprising at least two communication buses linked by way of a wireless transmission bridge, the bridge comprising for each bus a real portal connected to this bus, each portal being furnished with wireless communication means, characterized in that the process comprises the steps of:

10 - modelling the wireless bridge by each real portal in the form of virtual buses and virtual bridges, each virtual bridge comprising two virtual portals;

15 - emulating a global register of passband availability for the entire wireless bridge;

- reserving passband with the global register for each wireless link participating in a communication.

20 2. Process according to Claim 1, characterized in that a wireless link is modelled in the form of a virtual bridge.

25 3. Process according to Claim 1, characterized in that a wireless link is modelled in the form of a virtual bus.

30 4. Process according to Claim 1, characterized in that a group of wireless links linking a group of portals having complete connectivity within a bigger network with partial connectivity is modelled in the form of a virtual bus.

5. Process according to one of Claims 3 or 4, characterized in that each real portal emulates;

35 - a virtual portal forming together with the real portal a bridge linking the communication bus connected to the real portal to a virtual so-called internal bus also emulated by the real portal;

- a virtual bridge for each wireless link with another real portal.

***This Page Blank (uspto)***

6. Process according to Claim 2, characterized in that each real portal emulates:

- a virtual portal forming together with the real portal a bridge linking the communication bus connected to the real portal to a virtual so-called internal bus also emulated by the real portal;

- a virtual portal for each wireless link with other portals of the wireless bridge, two virtual portals corresponding to the same wireless link between two real portals forming a virtual bridge representing the wireless link.

7. Process according to one of Claims 4 or 5, characterized in that it furthermore comprises the step of eliminating an internal bus and virtual portals connected thereto, and of contracting into a bridge the two orphan portals thus created, in the case where the real portal comprising the internal bus forms part of a single wireless link.

8. Process according to one of Claims 1 to 7, characterized in that it furthermore comprises the step of determining, by each real portal, the set of wireless links between the real portals.

9. Process according to Claim 8, characterized in that the step of determining the set of wireless links comprises the steps of:

- identifying, by each real portal, the other real portals whose data reach it directly;

- transmission destined for all the other real portals of the wireless network, of the list of real portals with which a direct link exists;

- reception of the list compiled by each of the other portals.

10. Process according to one of the preceding claims, characterized in that it also comprises the step of emulating a register of availability of isochronous channels for each virtual bus.

**This Page Blank (uspto)**